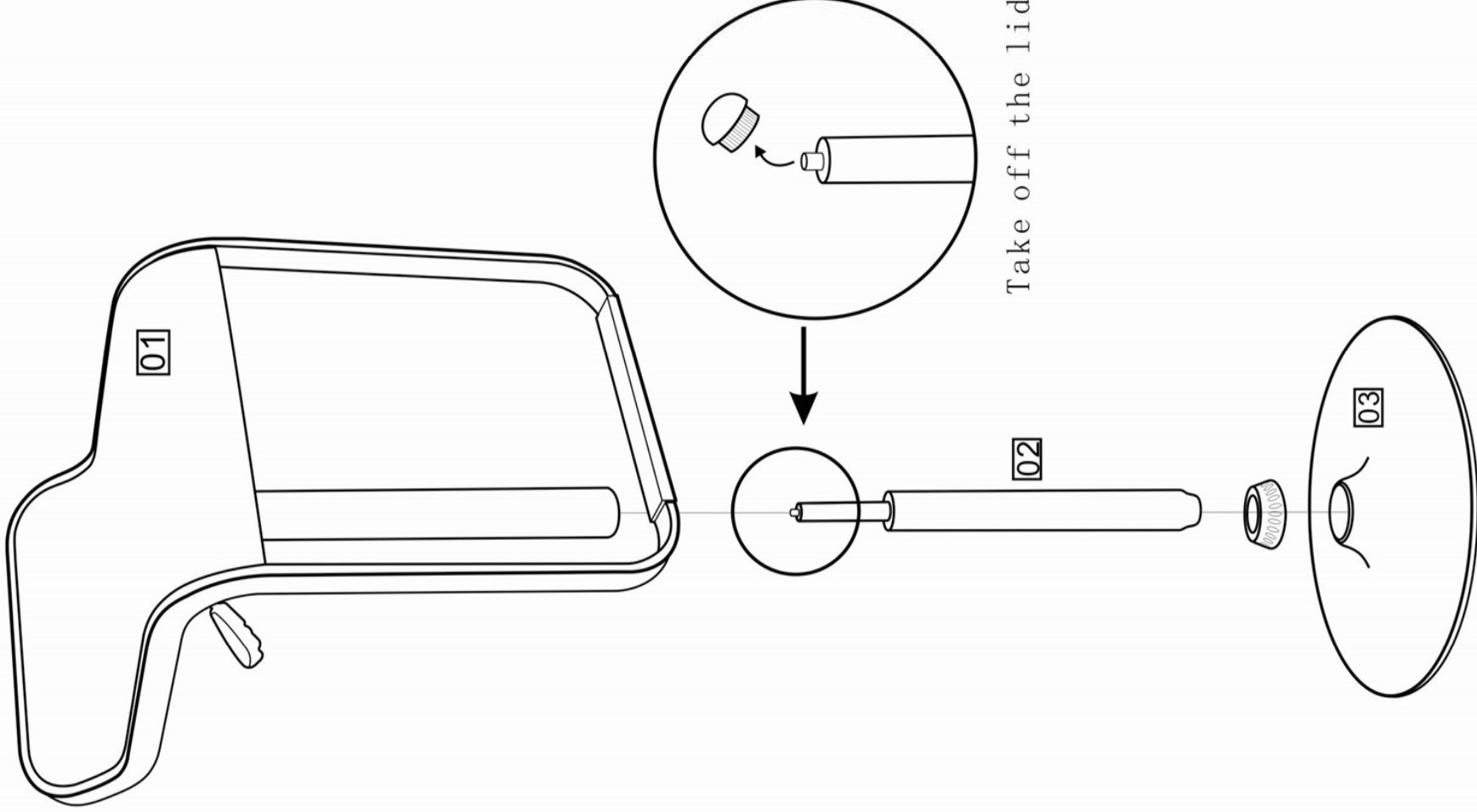




Ⓐ



X1



Take off the lid

COMPONENT CHECKLIST

PART	No.	Qty.
Seat	01	1
Lift	02	1
Base	03	1