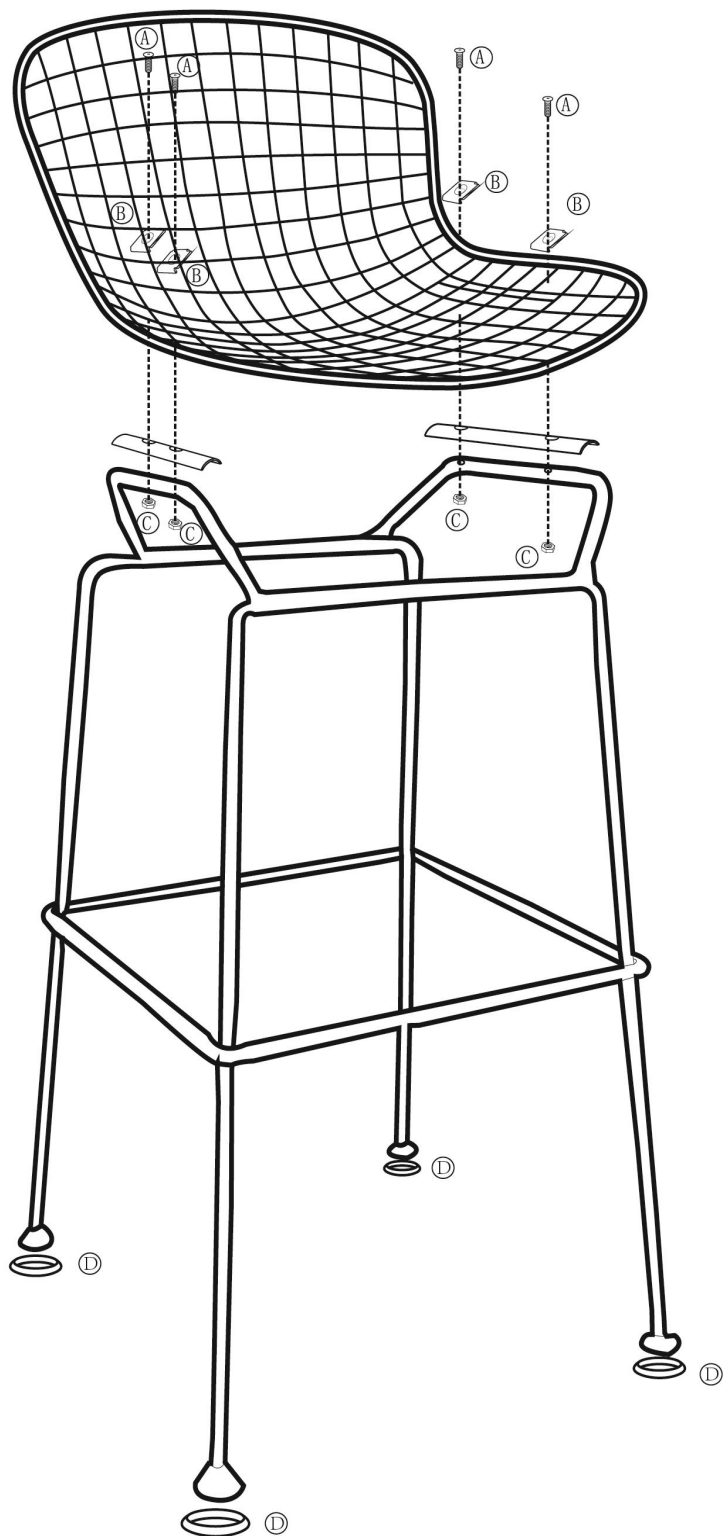





COMPONENT PARTS

FITTINGS



Ⓐ  X4
(M6*20mm)

Ⓑ  X4
(20*40*1.5mm)

Ⓒ  X4
(M6)

Ⓓ  X4

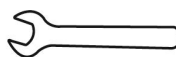


COMPONENT CHECKLIST

PART	No.	Qty.	
Seat	01	1	<input type="checkbox"/>
Leg	02	1	<input type="checkbox"/>

TOOLS REQUIRED

 Allen key (supplied)

 Spanner (supplied)