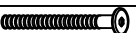


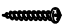


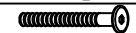
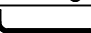


ASSEMBLY INSTRUCTIONS

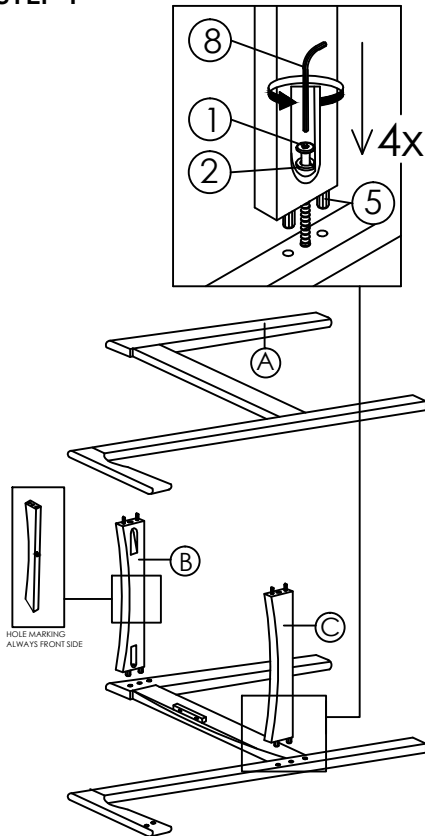
Read this instruction carefully. Refer to the hardware and furniture parts list for guidance. Be sure all parts are complete before assembling. Place all wooden furniture parts on a clean and flat soft surface to prevent scratches.

CAUTION :

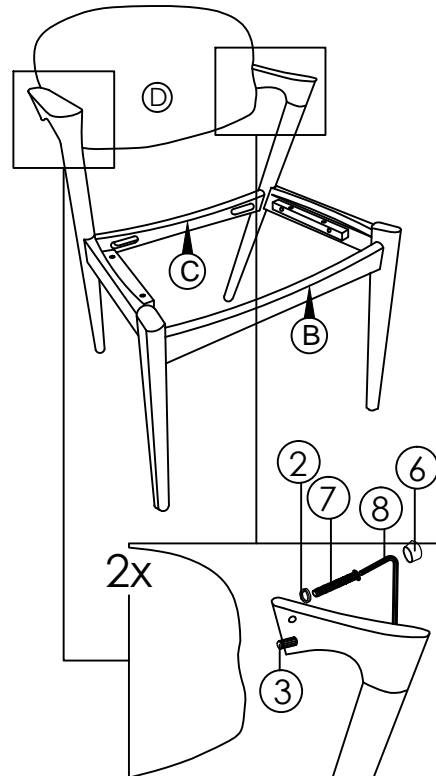
1. Do not **FULLY-TIGHTEN** screws until they are all in place.
2. To prevent thread damage do not over-tighten screws.
3. Hardware is to be kept out of reach from children.

PART LIST			HARDWARE LIST		
ITEM	DESCRIPTION	QTY	ITEM	DESCRIPTION	QTY
A	SIDE LEG	2 PCS	1	JCBC SCREW M6 x 50MM 	4 PCS
B	CENTER RAIL (LONG)	1 PC	2	SPRING WASHER 1/4" 	6 PCS
C	CENTER RAIL (SHORT)	1 PC	3	WOOD DOWEL DIA 10 x 35MM 	2 PCS
D	BACK CUSHION	1 PC	4	PAN HEAD WOOD SCREW M5 X 32mm 	4 PCS
E	SEAT CUSHION	1 PC	5	WOOD DOWEL DIA 8 x 35MM 	8 PCS
			6	WOOD BUTTON 14.5mm 	2 PCS
			7	JCBC SCREW M6 x 40MM 	2 PCS
			8	M4 ALLEN KEY (BALL SHAPE) LONG 	1 PC

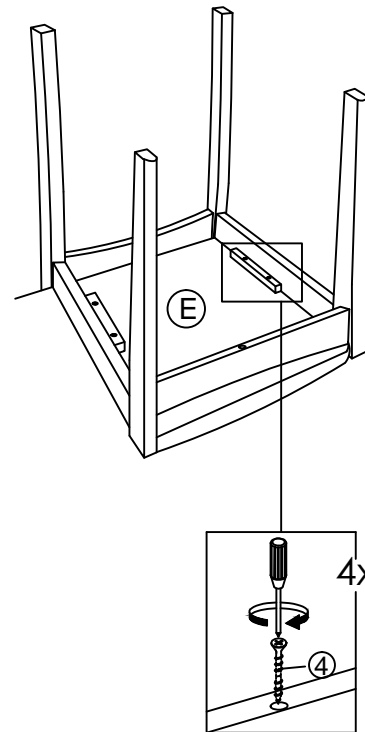
STEP 1



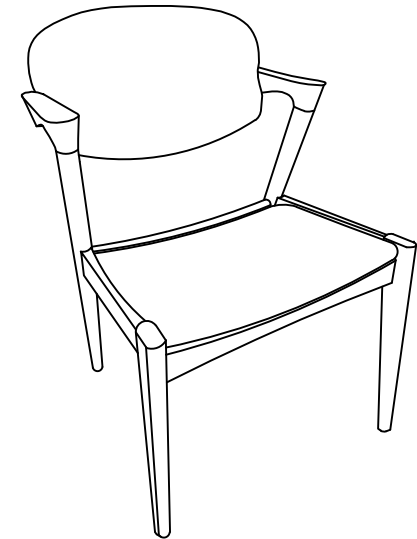
STEP 2



STEP 3



STEP 4



COMPLETED ASSEMBLY