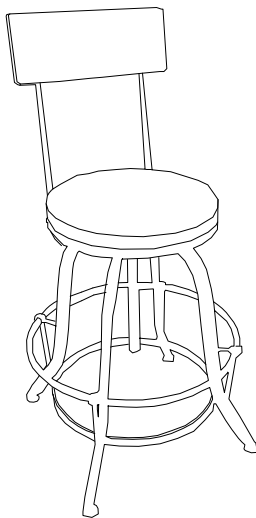





Thank you for purchasing the **PROCURE BARSTOOL** !

Before you start, here is some helpful advice:

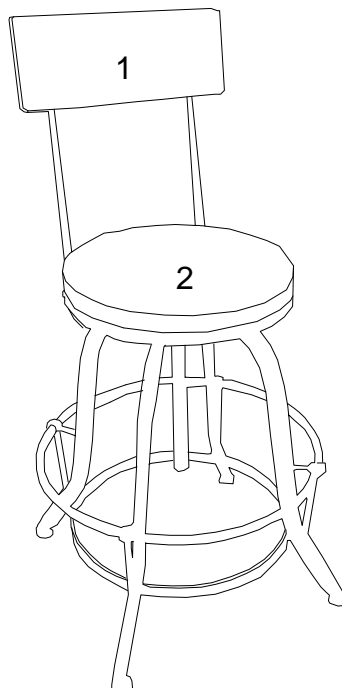
1. We suggest you spend a short time reading through this leaflet and then follow the simple step by step instructions.
2. Approximate assembly time: 15 minutes.
3. Please do not use any tools other than those provided or recommended in these instructions.
4. Please do not throw away any of the packaging or instructions until you have checked all the components and hardware and the furniture is fully assembled.
5. Assemble all components loosely until advised to tighten. Depending on use, it may be necessary to tighten the components from time to time, so please save the tools that have been provided.
6. Please keep all pieces out of reach of small children.



Hardware:

A		Nut	x2
B		Flat Washer	x2
C		Open Wrench	x1

Component:



1 Chair Back x1

2 Chair Base x1

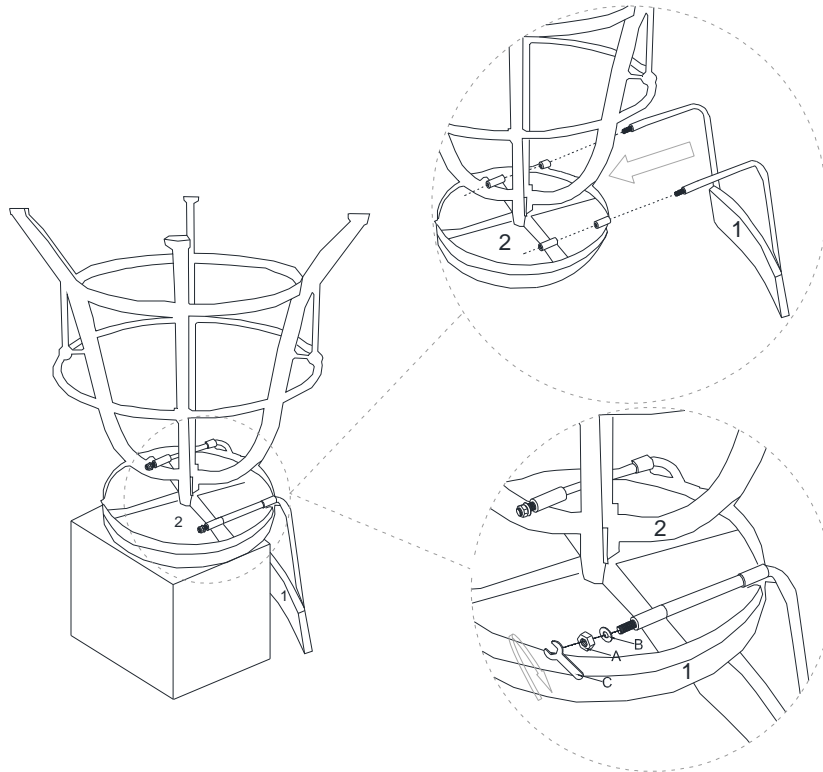
STEP 1:




Please put the **Chair Base (2)** upside down on a carton as shown.

Insert the **Chair Back (1)** into the rings on the bottom of the seat frame as shown.

Attach **Chair Back (1)** into the **Chair Base (2)** by using **Nuts (A)** and **Flat Washers (B)** as shown.

Use the **Open Wrench (C)** to tighten the **Nuts (A)** clockwise until secure.



		
Ax2	Bx2	Cx1

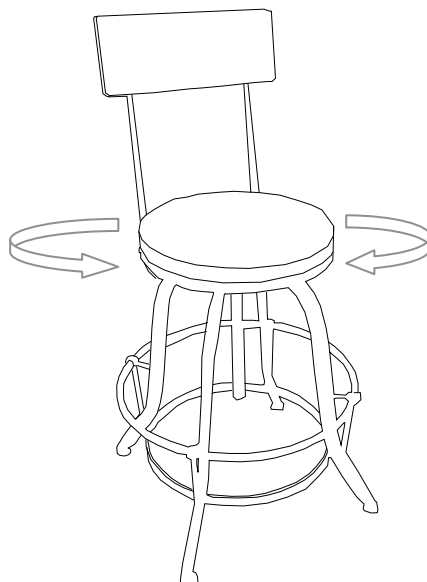
Hardware & Tool required

STEP 2:

Carefully turn over the barstool.

Note: Seat Height is designed for adjusting.

Turn the seat frame clockwise to lower and counterclockwise to raise.



Assembly is completed. The barstool is ready to enjoy now!