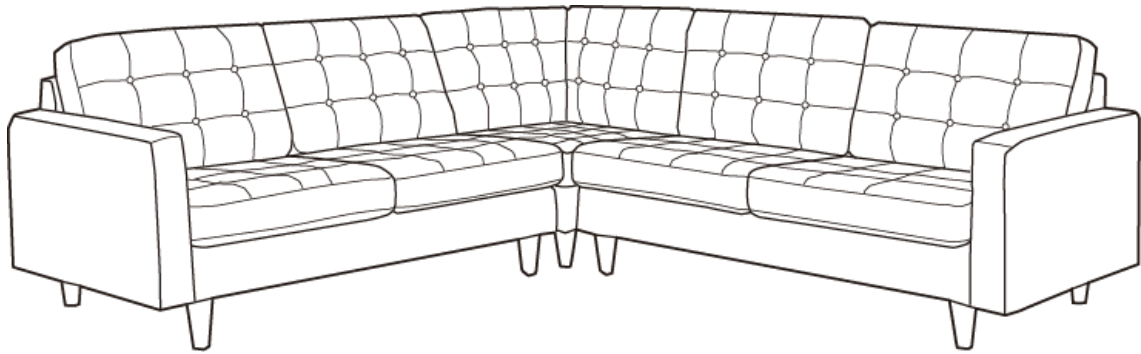


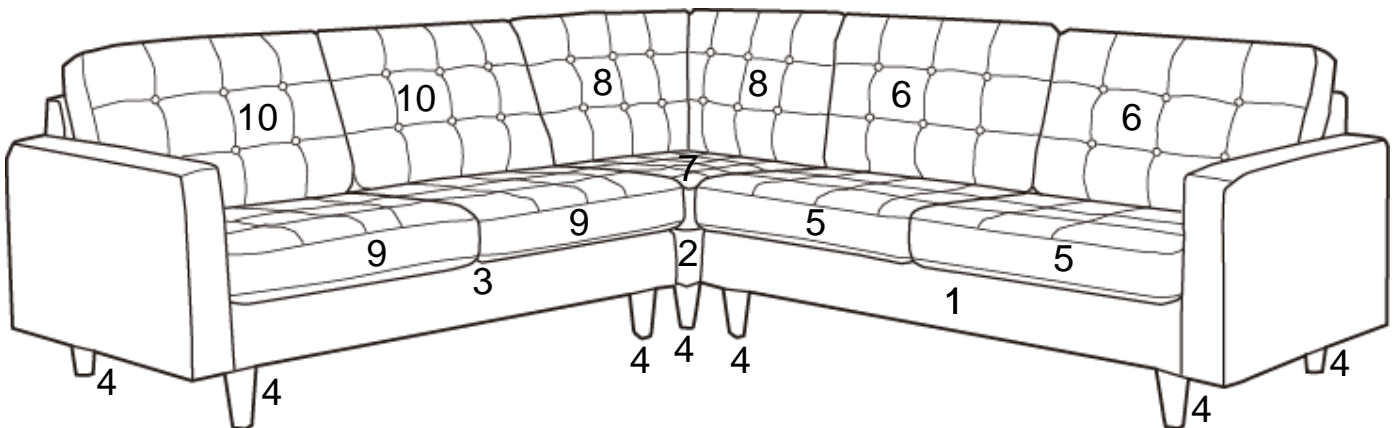
Thank you for purchasing the **EMPRESS 3 PIECE SECTIONAL SOFA SET!**

Before you start, here is some helpful advice:

1. We suggest you spend a short time reading through this leaflet and then follow the simple step by step instructions.
2. Owing to the size and weight of the 3 piece sectional sofa set, we recommend that it is assembled by two adults, on a carpeted or padded area, in the room that it is intended for. Approximate assembly time: 30 minutes.
3. Please do not use any tools other than those provided or recommended in these instructions.
4. Please do not throw away any of the packaging or instructions until you have checked all the components and hardware and the furniture is fully assembled.
5. Assemble all components loosely until advised to tighten. Depending on use, it may be necessary to tighten the components from time to time, so please save the tools that have been provided.
6. Please keep all pieces out of reach of small children.



Component:



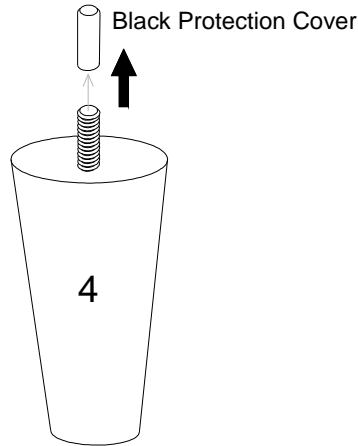
- | | | | |
|----------------------------------|----------------------------------|----------------------------------|-----------|
| 1 Right Loveseat x1 | 2 Corner x1 | 3 Left Loveseat x1 | 4 Leg x12 |
| 5 Right Loveseat Seat Cushion x2 | 6 Right Loveseat Back Cushion x2 | 7 Corner Seat Cushion x1 | |
| 8 Corner Back Cushion x2 | 9 Left Loveseat Seat Cushion x2 | 10 Left Loveseat Back Cushion x2 | |

STEP 1:

Open the Carton of **Right Loveseat (1)**.

Please find the package of 4pcs **Legs (4)** on the top of the seat. Take out the 4pcs of **Legs (4)** from the package.

Take off the Black Protection Cover on the 4pcs **leg (4)**.



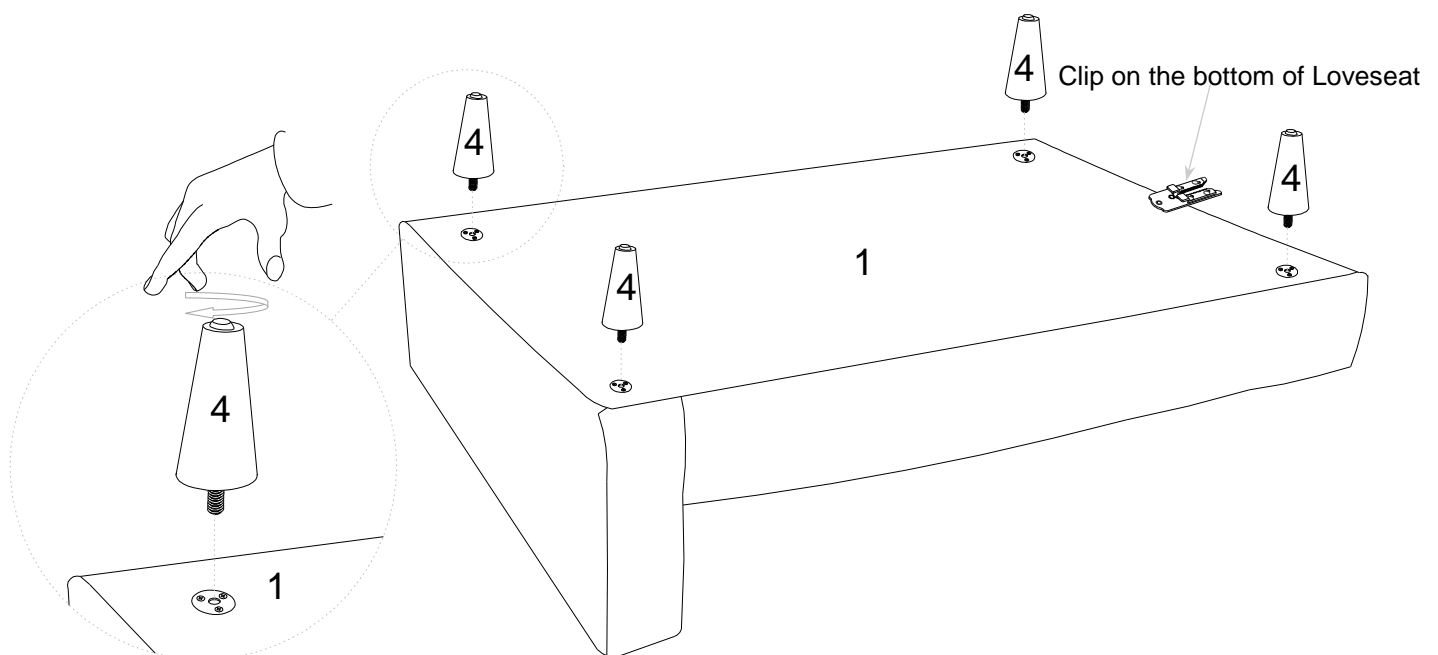
STEP 2:

Please put the **Right Loveseat (1)** upside down on a carpeted or padded surface without 2pcs **Right Loveseat Seat Cushion (5)** and 2pcs **Right Loveseat Back Cushion (6)** as shown.

Insert 1 pc of **Legs (4)** into the hole on the round metal plate at the corners of the **Right Loveseat (1)** as shown.

Use Hands to tighten the **Legs (4)** clockwise until secure.

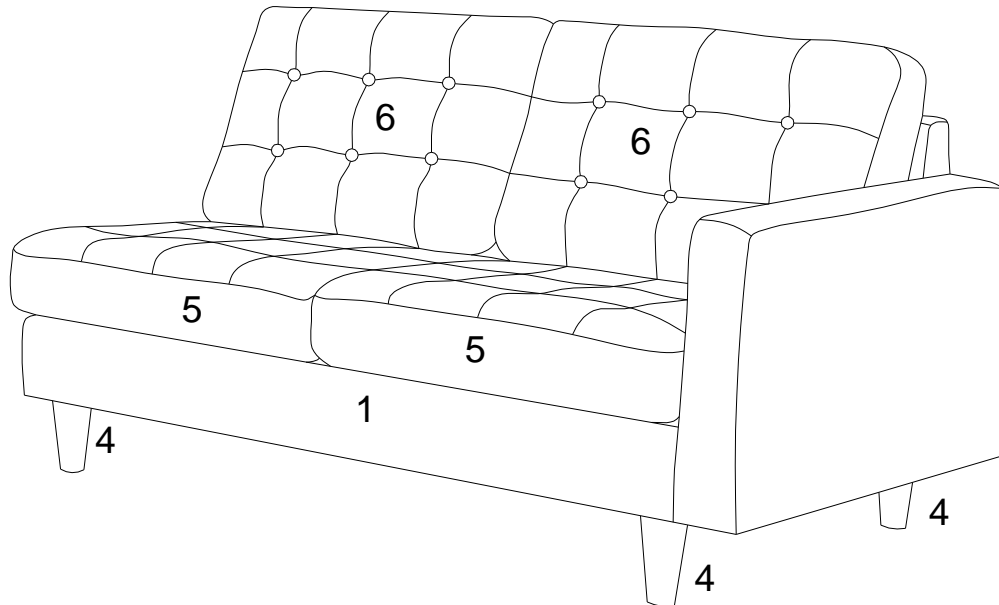
Repeat the same steps for the other three **Legs (4)**.



STEP 3:

Carefully turn over the **Right Loveseat (1)**.

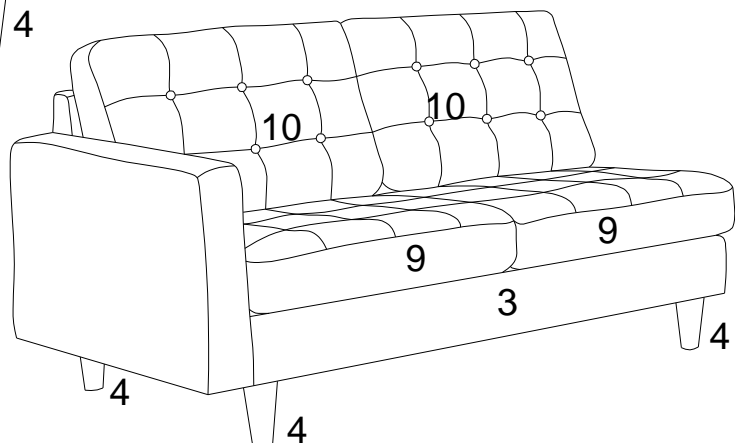
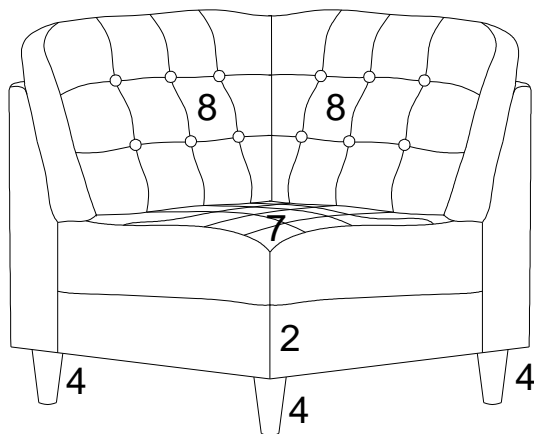
Put the 2pcs **Right Loveseat Seat Cushion (5)** and 2pcs **Back Cushion (6)** on the **Right Loveseat (1)** as shown.



STEP 4:

Repeat the same steps for the **Corner (2)** , 2pcs **Corner Seat Cushion (7)** , 2pcs **Corner Back Cushion (8)** and 4pcs **Legs (4)**.

Repeat the same steps for the **Left Loveseat (3)** , 2pcs **Left Loveseat Seat Cushion (9)** , 2pcs **Left Loveseat Back Cushion (10)** and 4pcs **Legs (4)**.

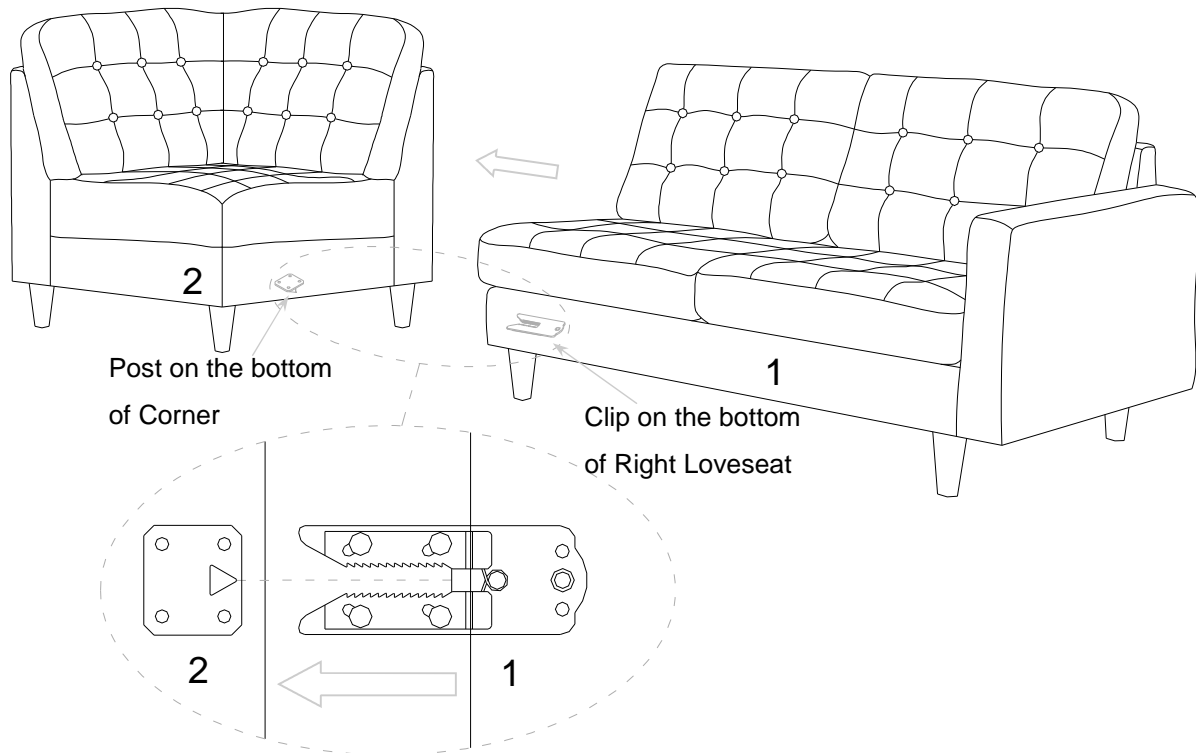


STEP 5:

Please place the **Corner (2)** at your desired location. Note: There are 2pc Post pre-installed on the bottom of **Corner (2)** as shown.

Align the Clip on the bottom of **Right Loveseat (1)** to the Post on the bottom of **Corner (2)** as shown.

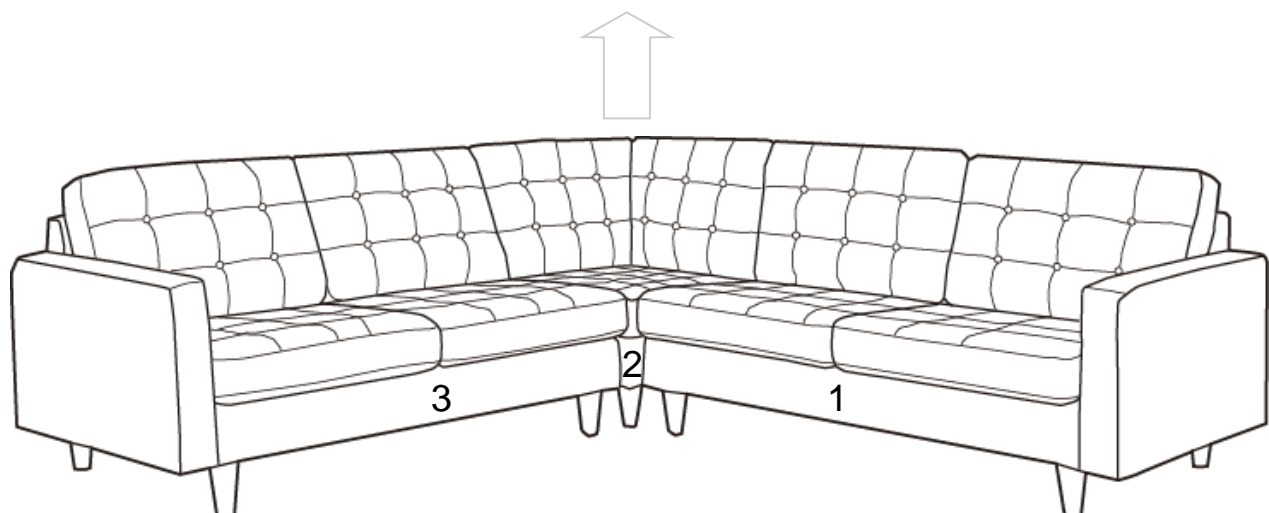
Push the **Right Loveseat (1)** close to the **Corner (2)** slowly until the Clip and the Post click together tightly.



STEP 6:

Repeat the same steps for locking the **Corner (2)** and **Left Loveseat (3)** together as shown.

If you want to unlock the sofa. Please lift up the **Corner (2)** by two people.



Assembly is completed. The 3 piece sectional sofa set is ready to enjoy now!