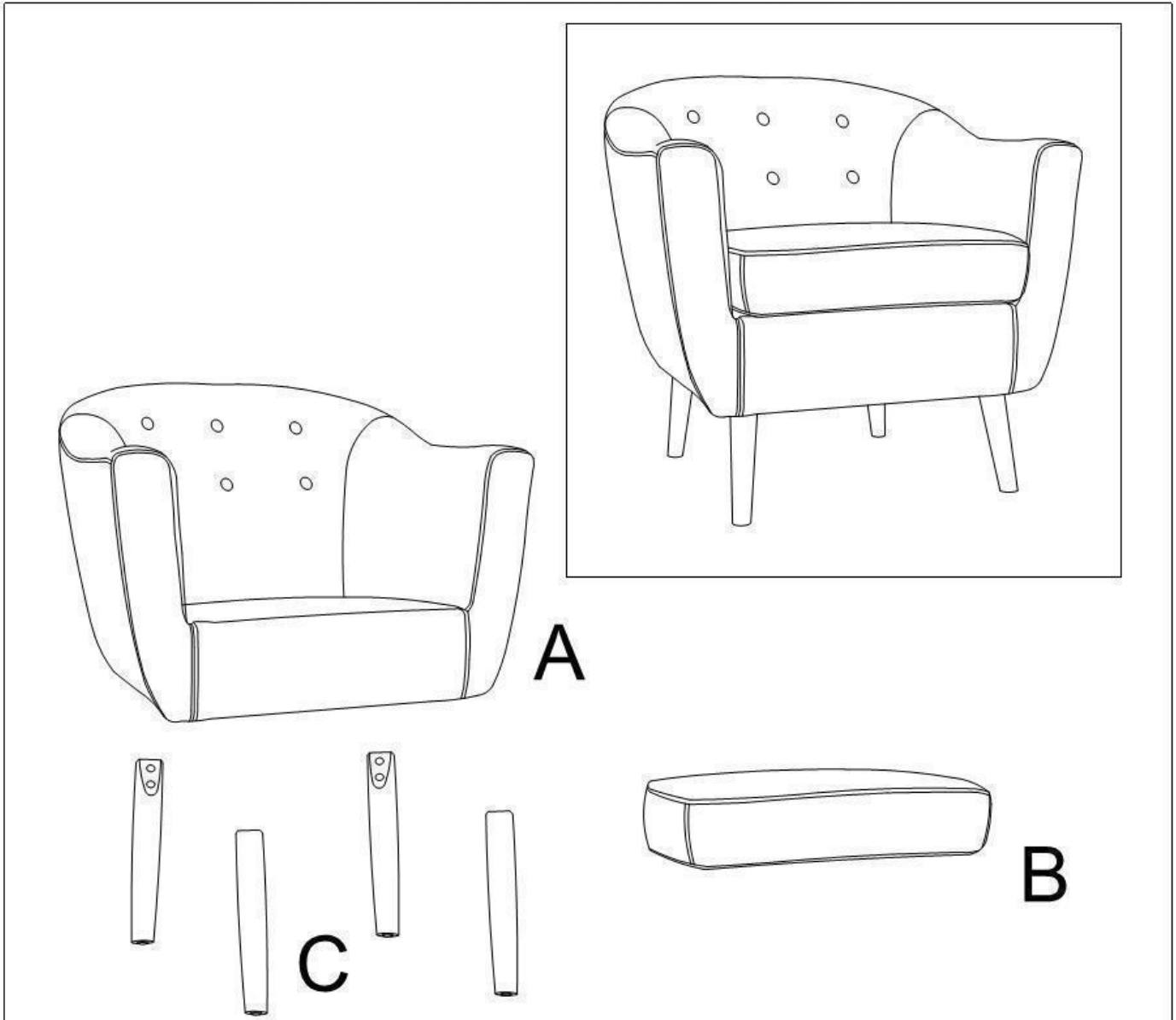
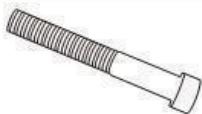

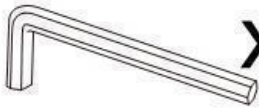


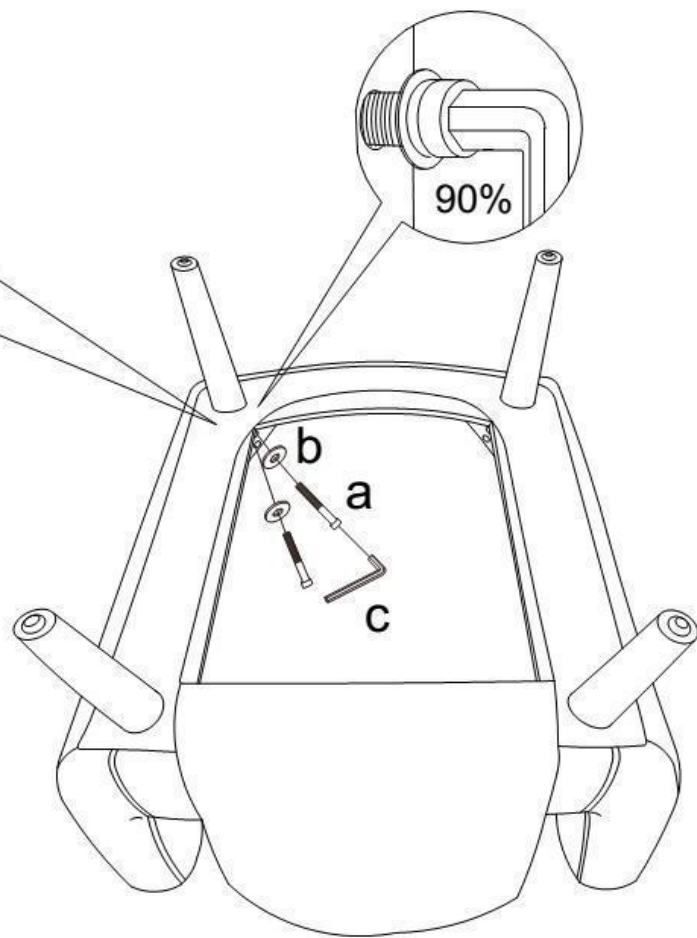
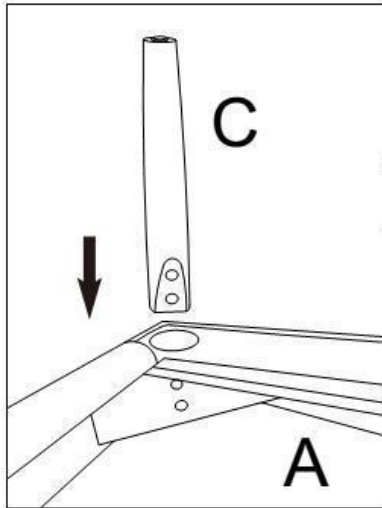
EEI-1391



TURN TOP UPSIDE DOWN ON A SOFT WORKING SURFACE.

<b>a</b>  <b>x8</b>	<b>b</b>  <b>x8</b>	<b>c</b>  <b>x1</b>

# STEP1



# STEP2

