

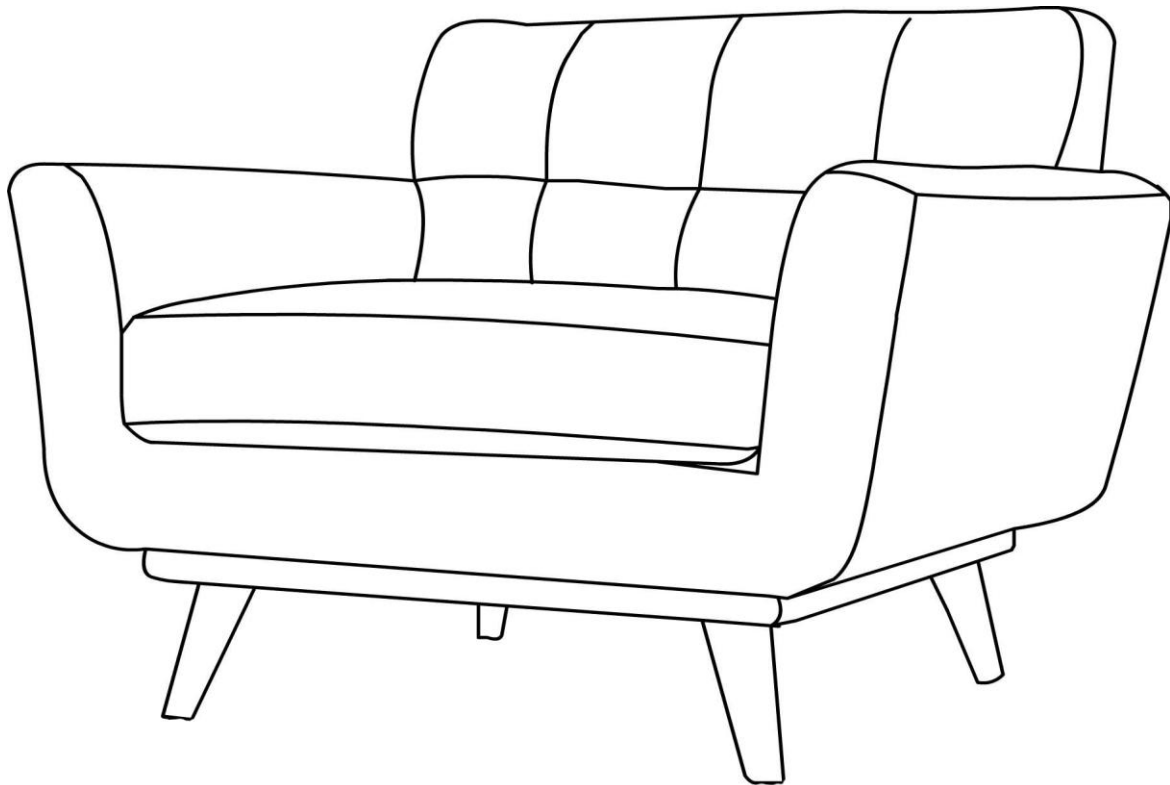


modway



## Assembly Instruction

**CODE:EEI-1336**


**Chair**



## Parts List

Label	Picture	Description	QTY
A		CHAIR	1
B		WOODEN LEG	4

## Hardware

Label	Picture	Description	QTY
1		WASHER RING	7

## Assembly Preparation

Before Beginning Assembly:



- Read instructions, cover to cover-



- Have 2 adults on hand for assembly-



- Do not assemble on flooring or carpet-



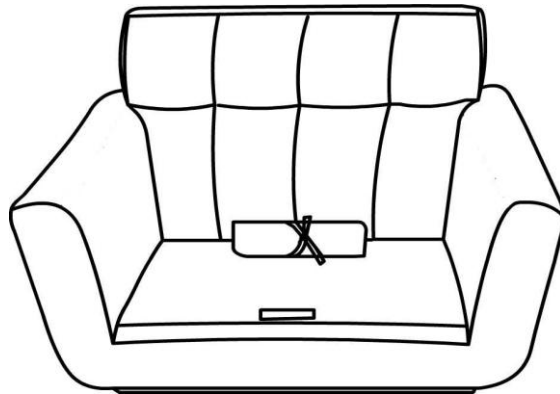
- Assemble on a clean non-marring surface (packing foam)-



- Save all packaging until finished-

## Assembly Steps

### Step 1

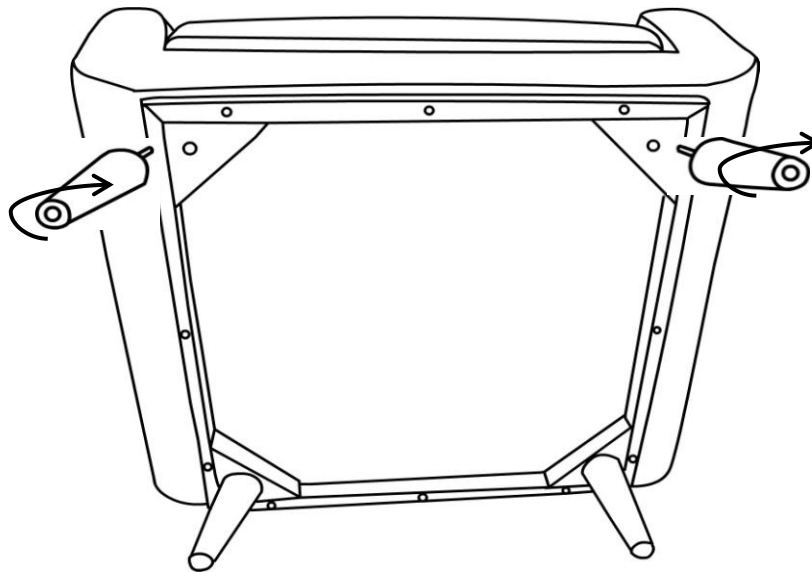


Position the Chair on its front . as shown.  
Cushion move out then open to take the 4 Legs.

## Assembly Steps

### Step 2

Insert the  
threaded  
Stem Into the  
threaded  
Hole



Install Leg into the Chair by putting a Washer Ring on the threaded Stem and then (optional) Insert the threaded Stem into the threaded Hole at each Corner of the Bottom of the Chair. Tighten by turning Leg clockwise. Repeat the same Step to install the others Leg

## Care & Maintenance



- Do not put hot items directly on furniture surface.



- Do not clean furniture with harsh cleansers or polish.



- Do not place furniture under direct sunlight.



- Do not place furniture near heating or cooling vents.



- Do not write on furniture without a padded barrier to protect the surface.



- Do not place furniture outside. For indoor use only.



- Not for commercial use. For residential use only.



- Stains may be removed with mild soap solution and damp cloth.



- Dust and pick-up spills using a clean, non-colored, lint-free cloth.