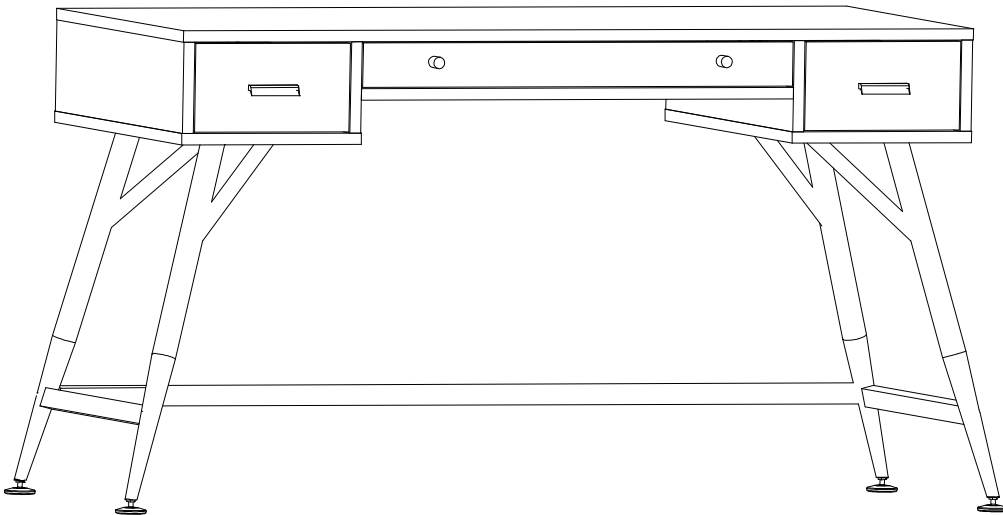


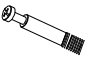













Thank you for purchasing the **MODWAY DESK!**

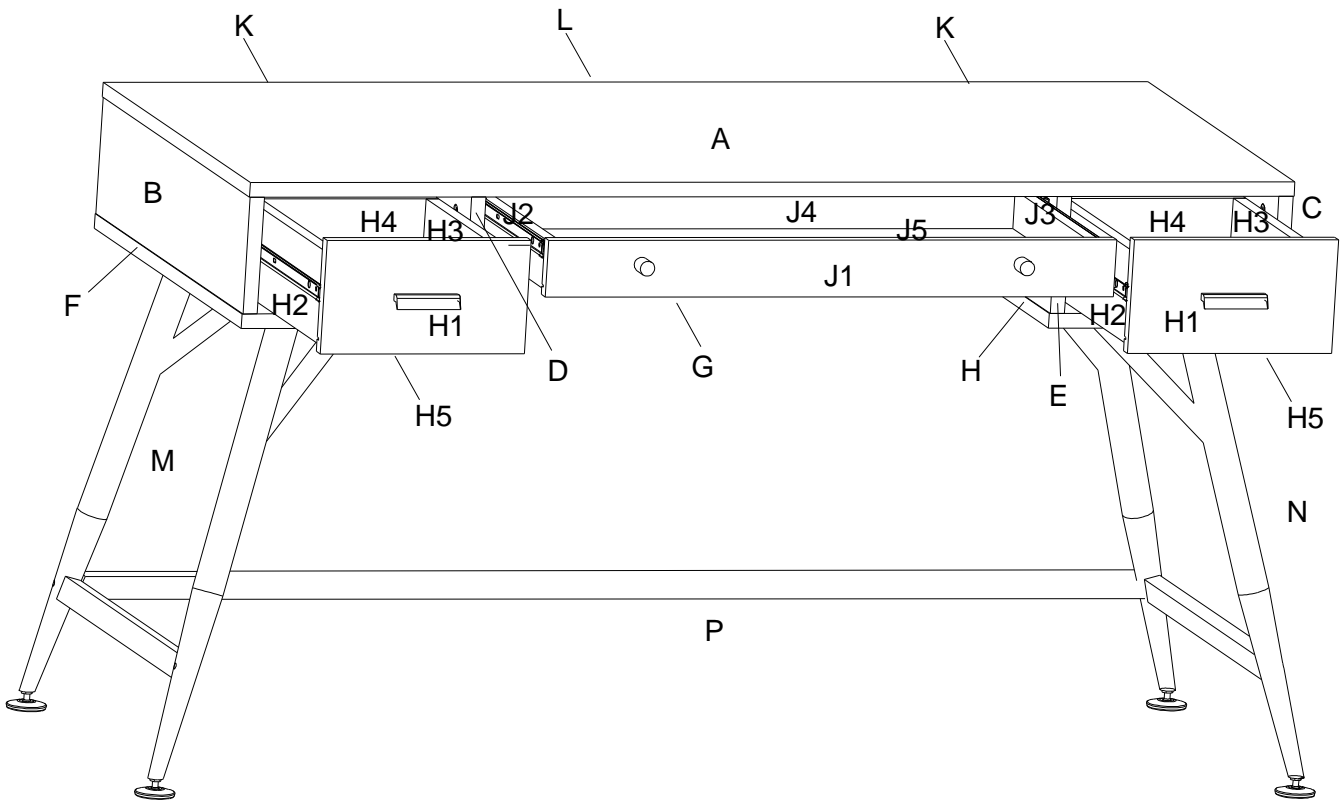
Before you start, here is some helpful advice:

1. We suggest you spend a short time reading through this leaflet and then follow the simple step by step instructions.
2. Owing to the size and weight of the desk, we recommend that it is assembled by two adults, on a carpeted or padded area, in the room that it is intended for. Approximate assembly time: 45 minutes.
3. Please do not use any tools other than those provided or recommended in these instructions.
4. Please do not throw away any of the packaging or instructions until you have checked all the components and hardware and the furniture is fully assembled.
5. Assemble all components loosely until advised to tighten. Depending on use, it may be necessary to tighten the components from time to time, so please save the tools that have been provided.
6. Please keep all pieces out of reach of small children.



Hardware:

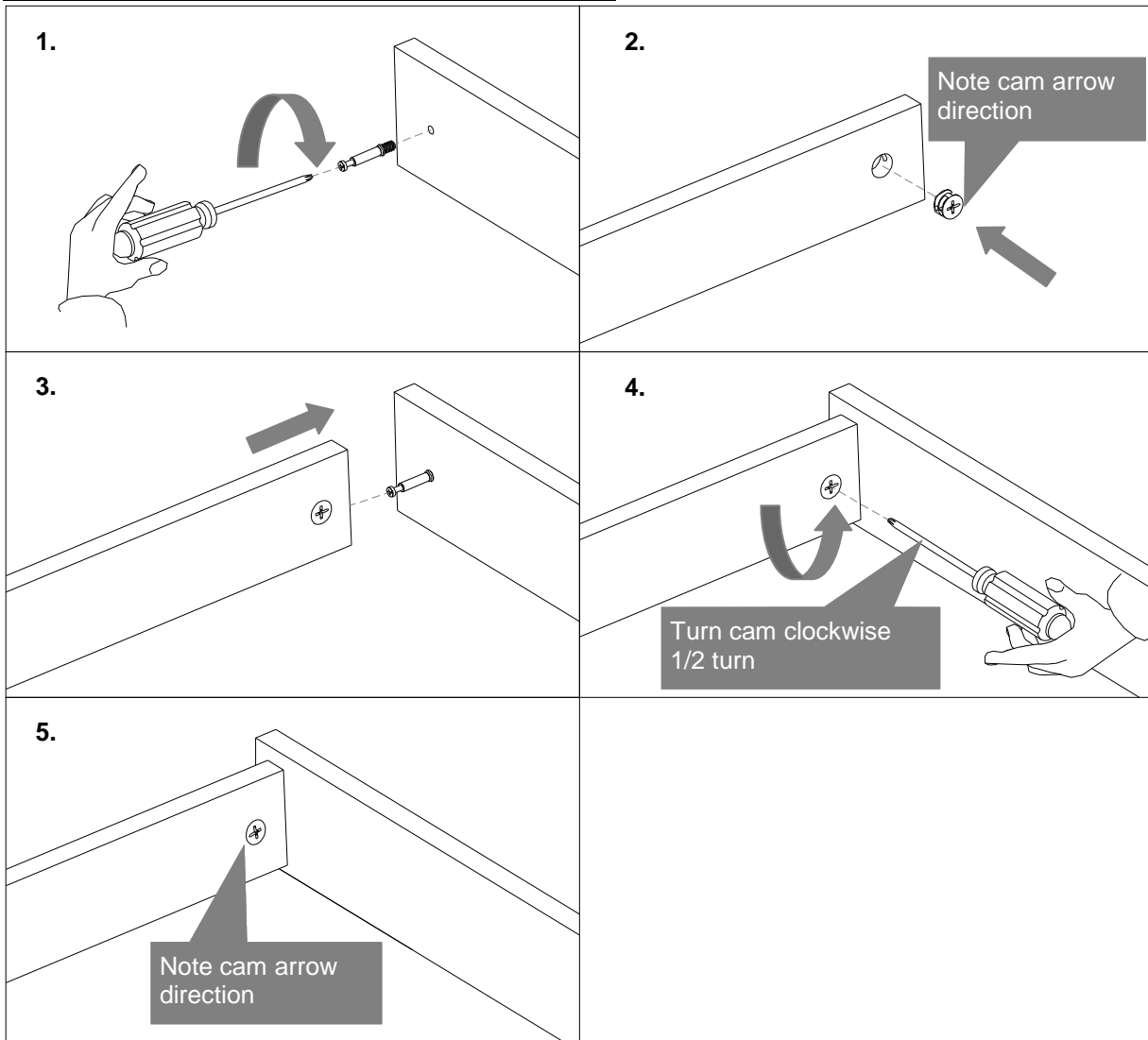
a		Cam	x30	b		Cam Post	x30
c		Screw M4x35mm	x12	d		Pull Screw M4x20mm	x6
e		Pull	x2	f		Drawer Guides	x3 sets
g		Screw M4x14mm	x30	h		Dowel	x32
j		Knob	x2	k		Bolt M6x12mm	x12
m		Bolt M6x50mm	x2	n		Drawer Bottom Holder	x6
m		Leveler	x4	p		Allen Wrench	x1



Component:

A	Top Panel	x1	B	Left Side Panel	x1
C	Right Side Panel	x1	D	Left Divide Panel	x1
E	Right Divide Panel	x1	F	Left Bottom Panel	x1
G	Center Bottom Panel	x2	H1	Side Drawer Front	x2
H2	Side Left Drawer Side	x2	H3	Side Right Drawer Side	x2
H4	Side Drawer Back	x2	H5	Side Drawer Bottom	x2
J1	Center Drawer Front	x1	J2	Center Left Drawer Side	x1
J3	Center Right Drawer Side	x1	J4	Center Drawer Back	x1
J5	Center Drawer Bottom	x1	K	Side Back Panel	x2
L	Center Back Panel	x1	M	Left Leg	x1
N	Right Leg	x1	P	Bottom Rail	x1

HOW TO USE CAM AND CAM POST HARDWARE



STEP 1:

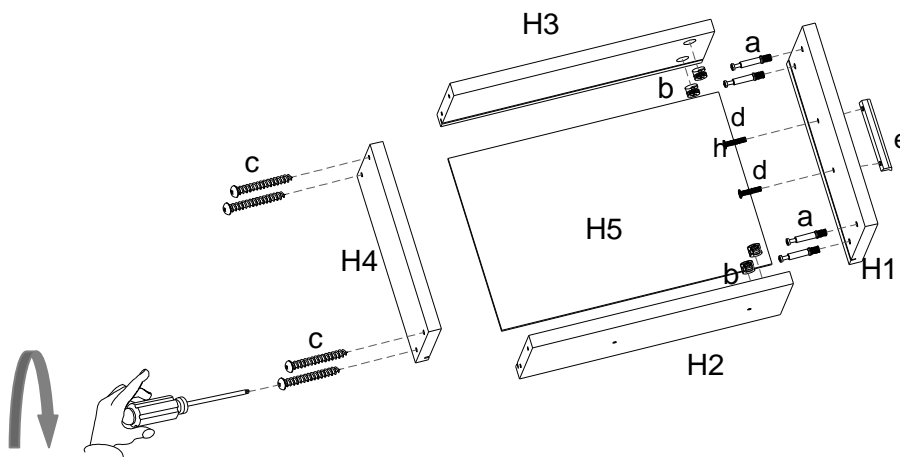
Place 1pc **Side Drawer Front (H1)**, 1pc **Side Drawer Back (H4)**, 1pc **Left Drawer Side (H2)**, 1pc **Right Drawer Side (H3)** and 1pc **Side Drawer Bottom (H5)** together as shown.

Attach them by 2pcs **Cam Post (a)**, 2pcs **Cam (b)**, 4pcs **Screw (c)**, tighten the **Screws (c)** and **Cam (b)**

Attach 1pc **Pull (e)** to the **Side Drawer Front (H1)** by using 2pcs **Pull Screw (d)**.

Fully tighten **Cams (b)**, **Screws (c)**, **Pull Screws (d)** with **Phillips Head Screw Driver** (not included).

Repeat the same steps and hardware for the other Side Drawer.



ax4	bx4	cx8	dx4	ex2	Phillips Head Screwdriver (not included)

Hardware & Tools required

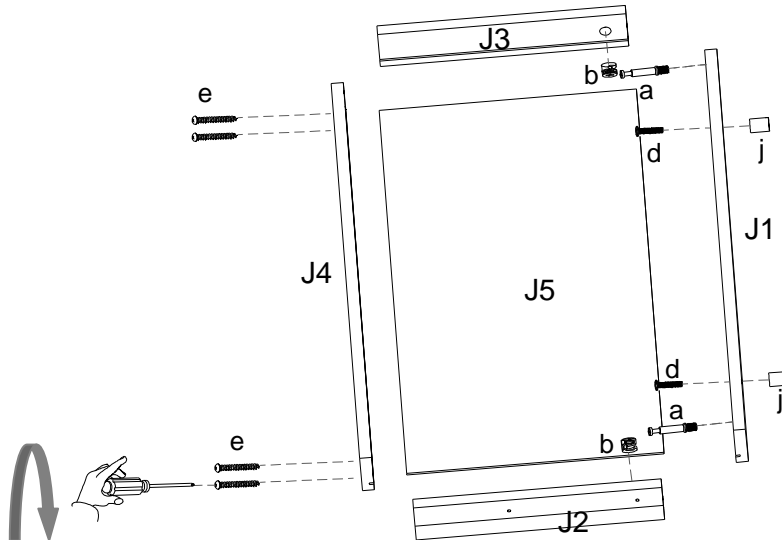
STEP 2:

Place 1pc **Center Drawer Front (J1)**, 1pc **Center Drawer Back (J4)**, 1pc **Center Left Drawer Side (J2)**, 1pc **Center Right Drawer Side (J3)** and 1pc **Center Drawer Bottom (J5)** together as shown.

Attach them by 1pc **Cam Post (a)**, 1pc **Cam (b)**, 4pcs **Screw (c)**, tighten the **Screws (c)** and **Cam (b)**

Attach 2pcs **Knob (e)** to the **Center Drawer Front (H1)** by using 2pcs **Pull Screw (d)**.

Fully tighten **Cams (b)**, **Screws (c)**, **Pull Screws (d)** with **Phillips Head Screw Driver** (not included).



ax2	bx2	cx4	dx2	jx2	Phillips Head Screwdriver (not included)

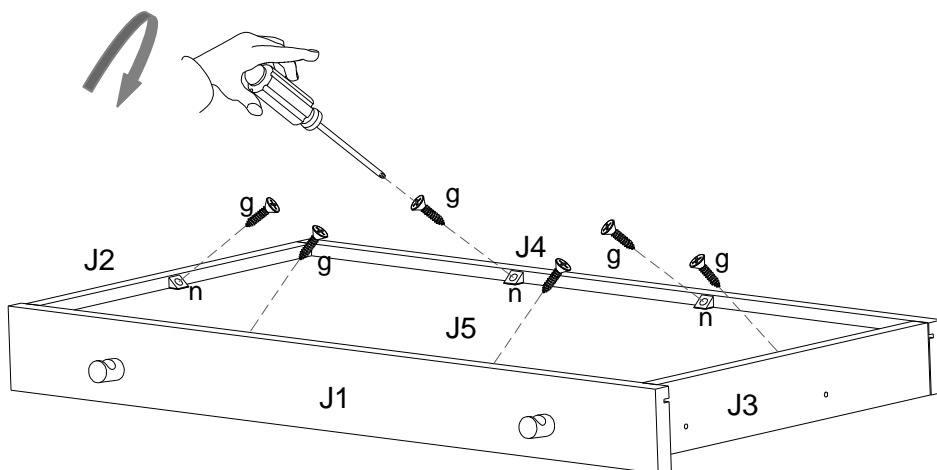
Hardware & Tools required

STEP 3:

Place the assembled Center Drawer upside down on a carpeted or padded surface.

Attach the 6pcs **Drawer Bottom Holder (n)** to the bottom of the assembled Center Drawer by using 6 pcs **Screw (g)** as shown.

Use **Phillips Head Screwdriver (not included)** to tighten the **Screws (b)** clockwise until secure.



gx6	nx6	Phillips Head Screwdriver (not included)

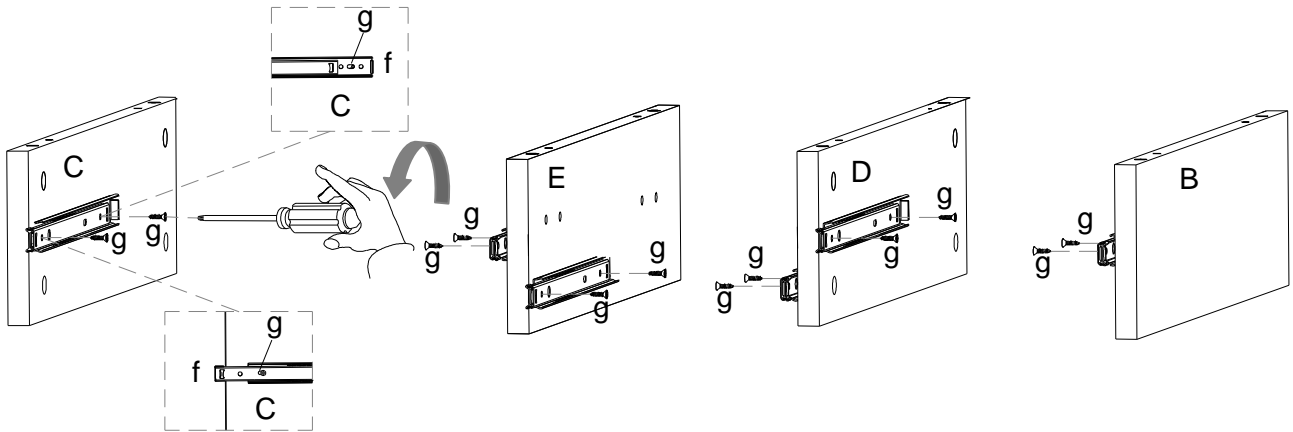
Hardware & Tools required

STEP 4:

Place the **Left Side Panel (B)**, **Right Side Panel (C)**, **Left Divide Panel (D)** and **Right Divide Panel (E)** upside down on a carpeted or padded surface.

Attach the 3 sets **Drawer Guides (f)** to the **Left Side Panel (B)**, **Right Side Panel (C)**, **Left Divide Panel (D)** and **Right Divide Panel (E)** by using **12pcs Screw (g)** as shown.

Use **Phillips Head Screwdriver (not included)** to tighten the **Screws (g)** clockwise until secure.



fx3	gx12	Phillips Head Screwdriver (not included)

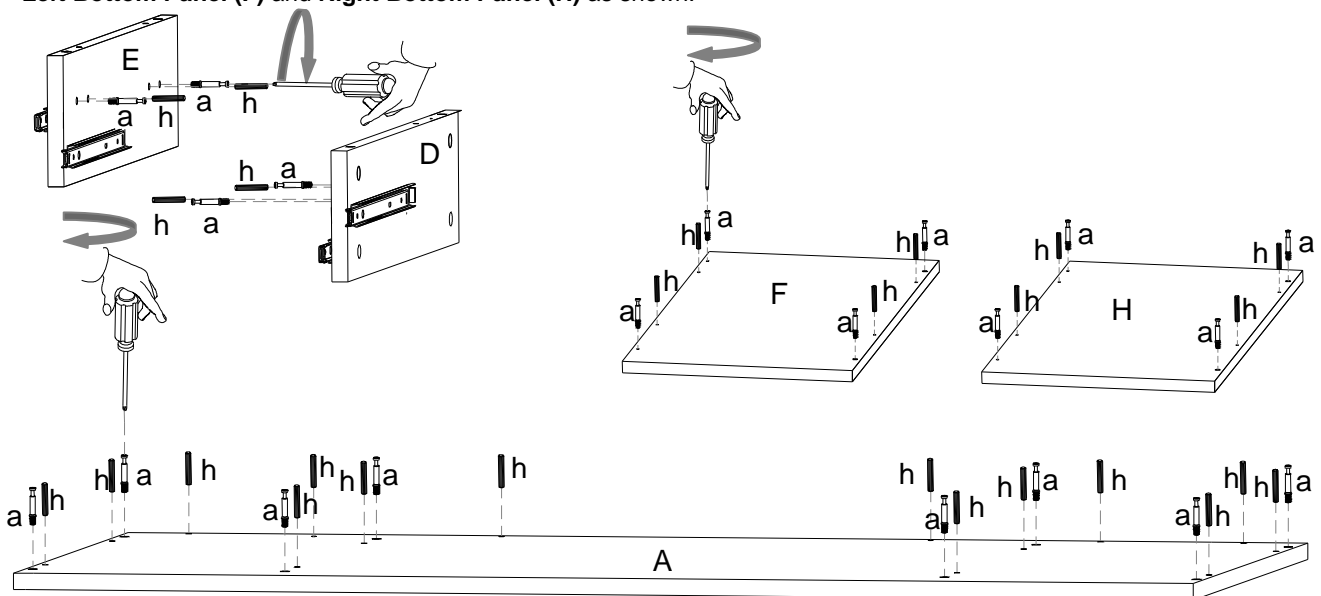
Hardware & Tools required

STEP 5:

Insert 20pcs **Cam Post (a)** into the corresponding holes on the **Top Panel (A)**, **Left Divide Panel (D)**, **Right Divide Panel (E)**, **Left Bottom Panel (F)** and **Right Bottom Panel (H)** as shown.

Use **Phillips Head Screwdriver (not included)** to tighten the **Cams (a)** clockwise until secure.

Insert 26pcs **Dowel (h)** into the corresponding holes on the **Top Panel (A)**, **Left Divide Panel (D)**, **Right Divide Panel (E)**, **Left Bottom Panel (F)** and **Right Bottom Panel (H)** as shown.



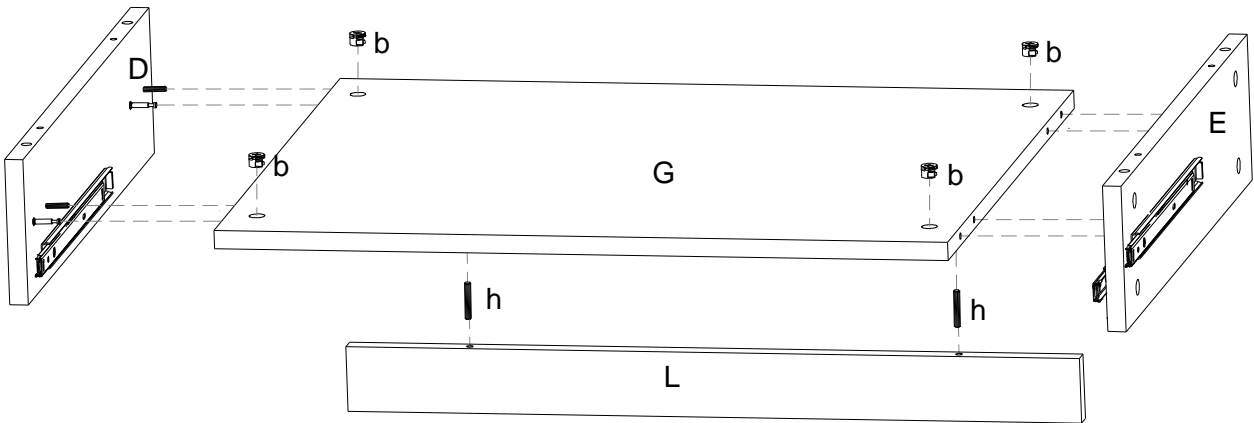
ax20	hx26	Phillips Head Screwdriver (not included)



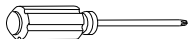
Hardware & Tools required

STEP 7:

Place the **Left Divide Panel (D)**, **Right Divide Panel (E)** and **Center Back Panel (L)** to the **Center Bottom Panel (G)** as shown. Attach them by using 12pcs **Cam (b)** and 2pc **Dowel (h)**.

Use **Phillips Head Screwdriver (not included)** to tighten the **Cams (b)** clockwise until secure.



		
b x 4	h x 2	Phillips Head Screwdriver (not included)

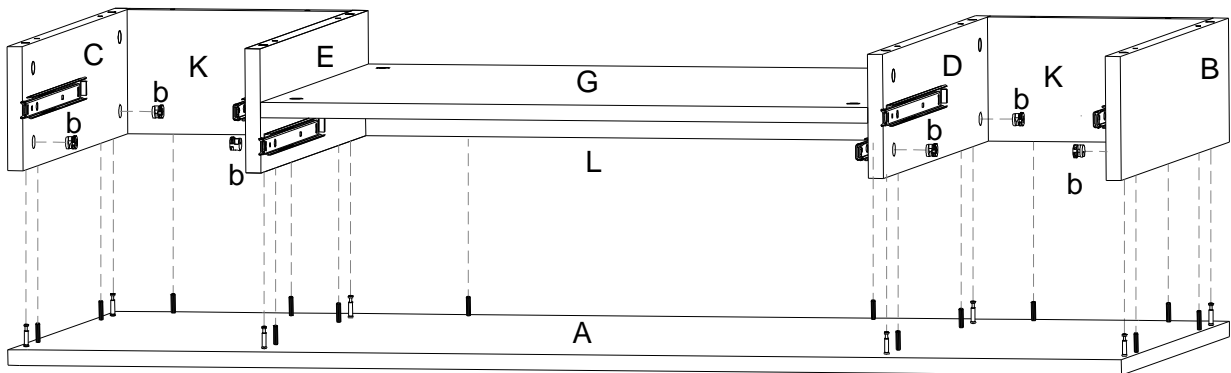
Hardware & Tools required


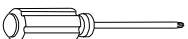
STEP 8:

Place the **Left Side Panel (B)**, **Right Side Panel (C)**, **Side Back Panel (K)** and the **Assembled Left Divide Panel (D)**, **Right Divide Panel (E)**, **Center Back Panel (L)** to the **Top Panel (A)** as shown.

Attach them by using 8pcs **Cam (b)**.

Use **Phillips Head Screwdriver (not included)** to tighten the **Cams (b)** clockwise until secure.

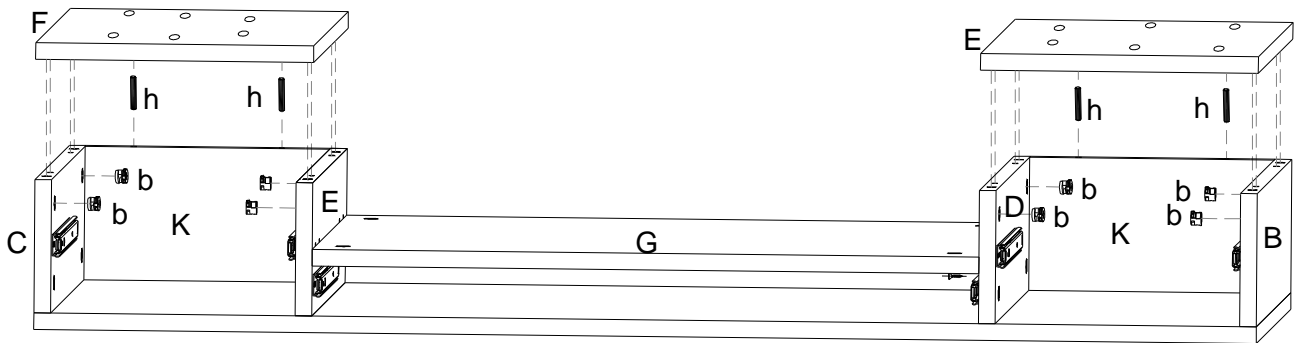




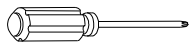
	
b x 8	Phillips Head Screwdriver (not included)

Hardware & Tools required

STEP 9:

Please put Assembled **Top Panel(A1&A2)** upside down on a carpeted or padded surface.
 Place the **Bottom Panel (B)** to the assembled **Side Panels (C&D)**, **Divide Panels (E&F)** and **Back Panel (G)** as shown.
 Attach them by using 12pcs **Bolt (j)**.
 Use **Allen Wrench (q)** to tighten the **Bolts (j)** clockwise until secure.

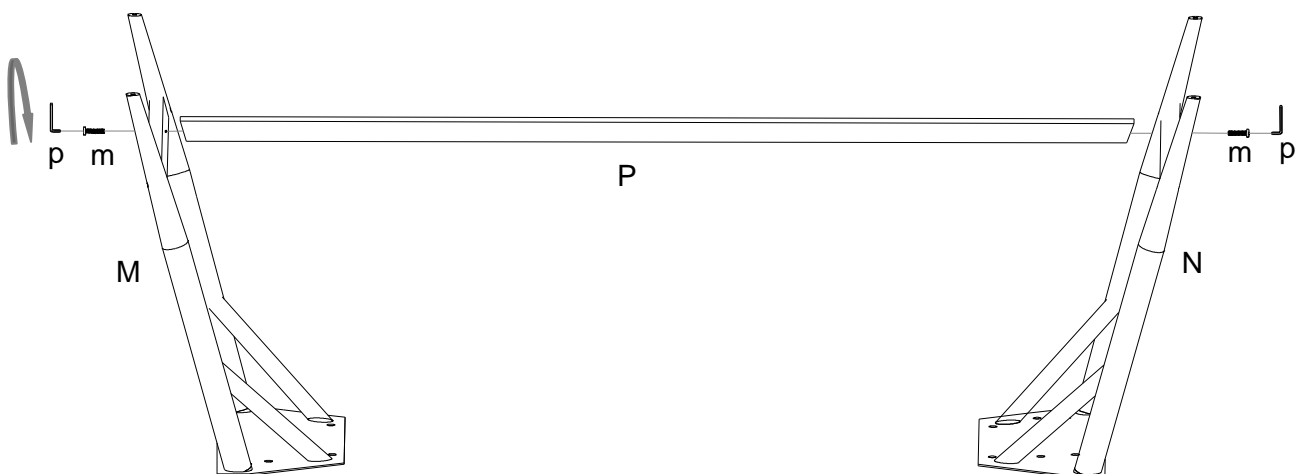




		
bx8	hx4	Phillips Head Screwdriver (not included)

Hardware & Tools required

STEP 10:

Place the **Left Leg (M)**, **Right Leg (N)** and **Bottom Rail (P)** upside down on a carpeted or padded surface as shown.
 Attach them by using 2pcs **Bolt (m)**.
 Use **Allen Wrench (p)** to tighten the **Bolts (q)** clockwise until secure.



	
mx2	px1

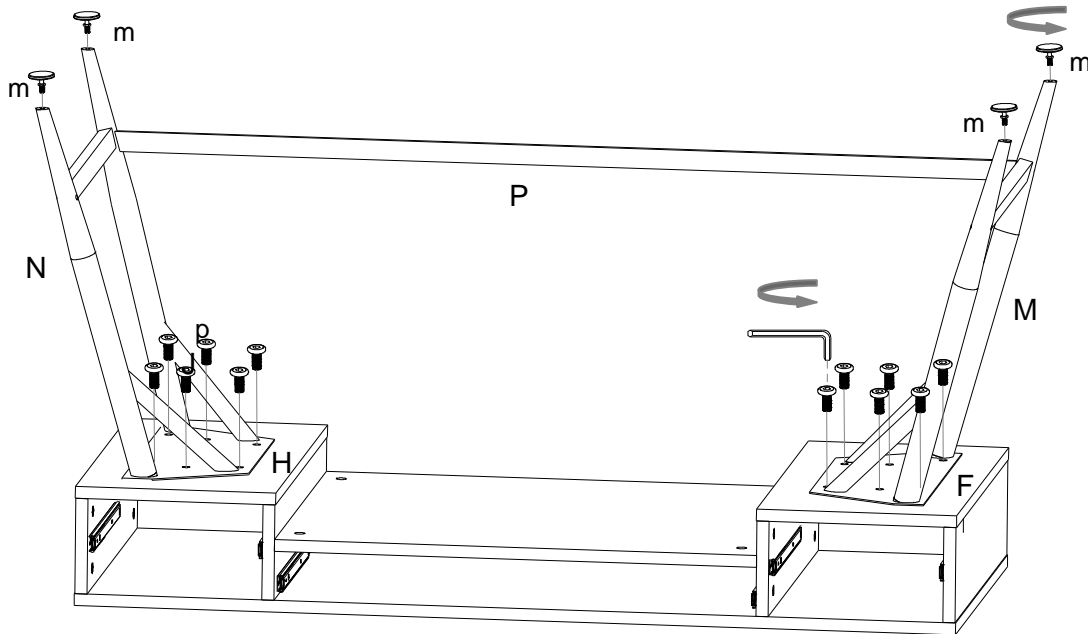
Hardware & Tools required

STEP 10:

Please put the assembled desk's top upside down on a carpeted or padded surface as shown .

Attach assembled **Left Leg (M)** and **Right Leg (N)** into the bottom of the **Left Bottom Panel (F)** and **Right Bottom Panel (H)** by using 12pcs **Blot (k)**.

Use **Allen Wrench (p)** to tighten the **Bolts (k)** clockwise until secure.



kx12	mx4	px1

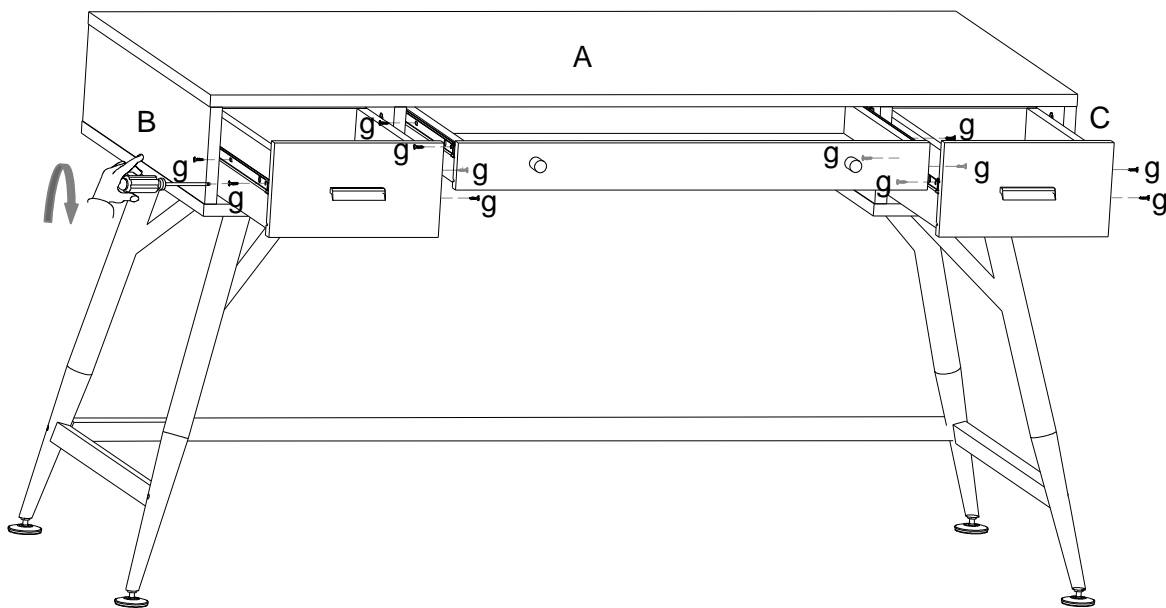
Hardware & Tools required

STEP 11:

Pull out the 3 sets metal drawer guides of **Drawer Guides (f)**.

Attach the Side Drawers and Center Drawer to the **Drawer Guides (f)** by using 12pcs **Screws (g)**.

Use **Phillips Head Screw Driver (not included)** to tighten the **Screws (g)** clockwise until secure.



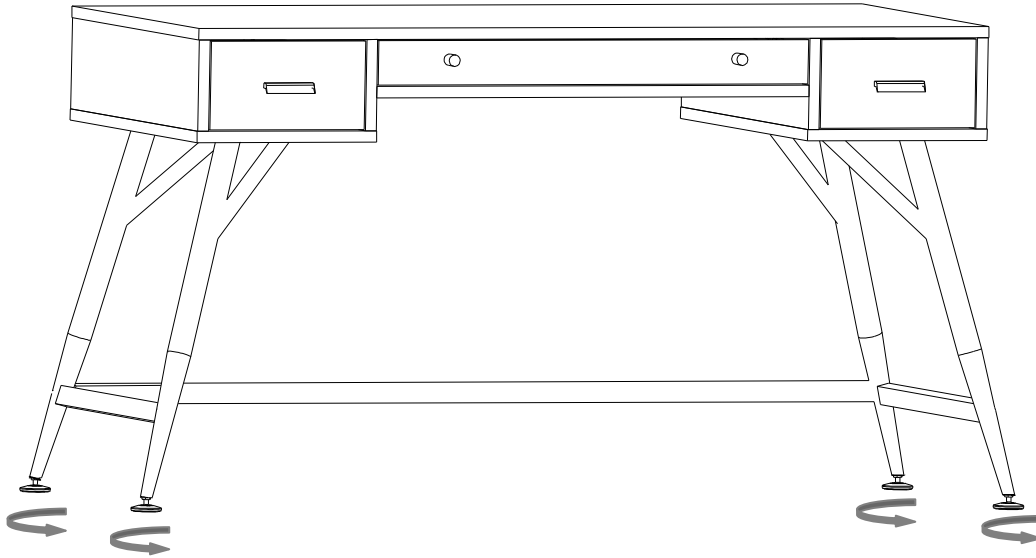
gx12	Phillips Head Screwdriver (not included)

Hardware & Tools required

STEP 12:

Carefully turn over the desk.

Rotate the adjustable feet on bottom of each leg to desired height and leveling according to your floor surface.



Assembly is completed. The desk is ready to enjoy now!