






Thank you for purchasing the **MODWAY DESK!**

Before you start, here is some helpful advice:

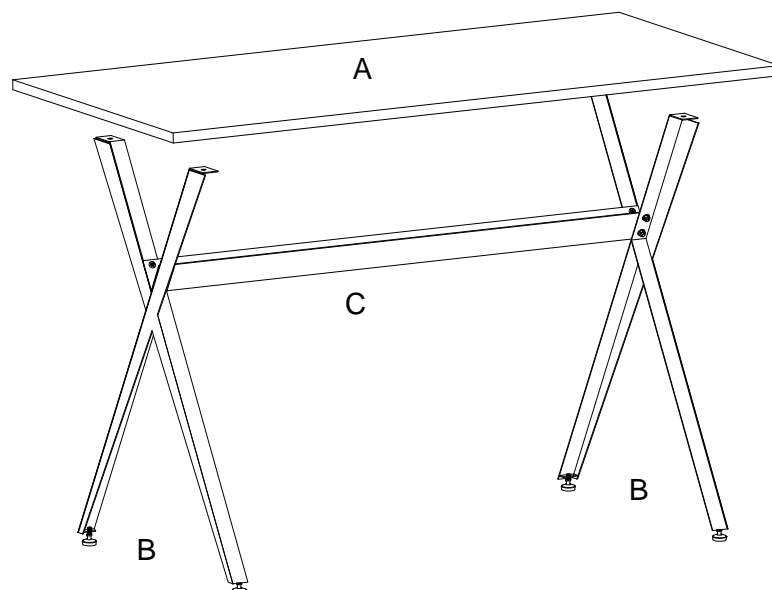
1. We suggest you spend a short time reading through this leaflet and then follow the simple step by step instructions.
2. Owing to the size and weight of the desk, we recommend that it is assembled by two adults, on a carpeted or padded area, in the room that it is intended for. Approximate assembly time: 30 minutes.
3. Please do not use any tools other than those provided or recommended in these instructions.
4. Please do not throw away any of the packaging or instructions until you have checked all the components and hardware and the furniture is fully assembled.
5. Assemble all components loosely until advised to tighten. Depending on use, it may be necessary to tighten the components from time to time, so please save the tools that have been provided.
6. Please keep all pieces out of reach of small children.



### Hardware:

a		Bolt M6x12mm	x12
b		Nut	x8
c		Leveler	x4
d		Allen Wrench	x1
e		Open Wrench	x1

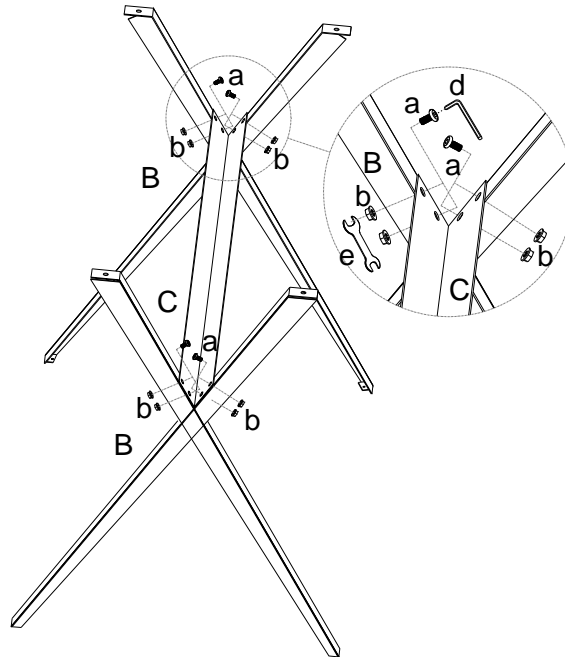
### Component:



A	Top Panel	x1	B	Leg	x2
C	Center Rail	x1			

## STEP 1:

Please place the **Center Rail (C)** and the 2pcs of **Legs (B)** as shown .  
 Attach one of **Legs (B)** to the **Center Rail (C)** by using 4pcs **Bolts (a)** and 4pcs **Nut (b)** as shown.  
 Full tighten the **Bolts (a)** and **Nuts (b)** by using **Allen Wrench (d)** and **Open Wrench (e)**.  
 Repeat the same steps for the other **Leg (B)** to the **Center Rail (C)**.

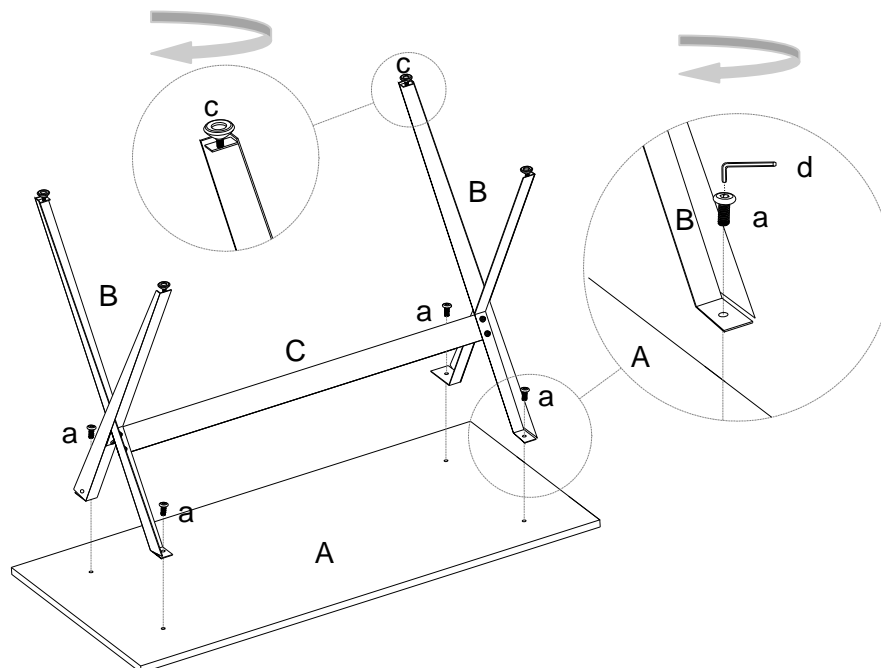





			
ax8	bx8	dx1	ex1

Hardware & Tool required

## STEP 2:

Please put the **Top Panel (A)** upside down on a carpeted or padded surface as shown .  
 Attach the assembled **Legs (B)** into the bottom of **Top Panel (A)** by using 4pcs **Bolts (a)**.  
 Use **Allen Wrench (d)** to tighten the **Bolts (a)** clockwise until secure.  
 Secure the 4pcs **Levelers (c)** to the bottom of the **Legs (B)** clockwise until secure as show.



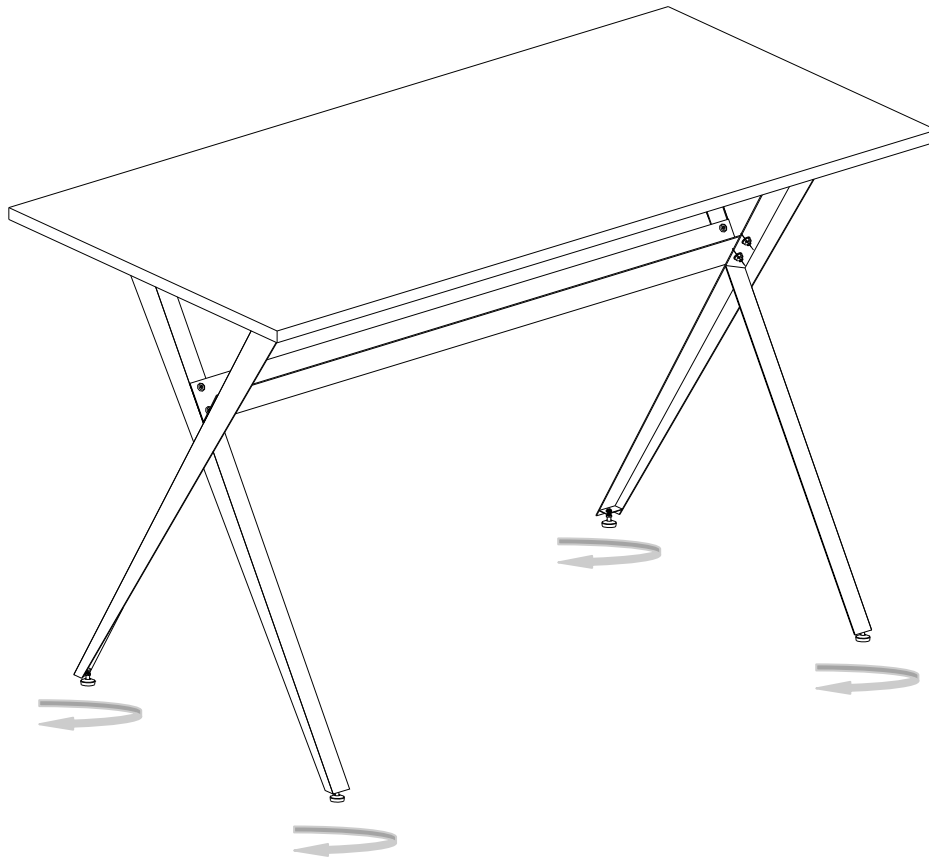
		
ax4	cx4	dx1

Hardware & Tool required

## STEP 3:

Carefully turn over the desk.

Rotate the adjustable feet on bottom of each leg to desired height and leveling according to your floor surface.



Assembly is completed. The desk is ready to enjoy now!