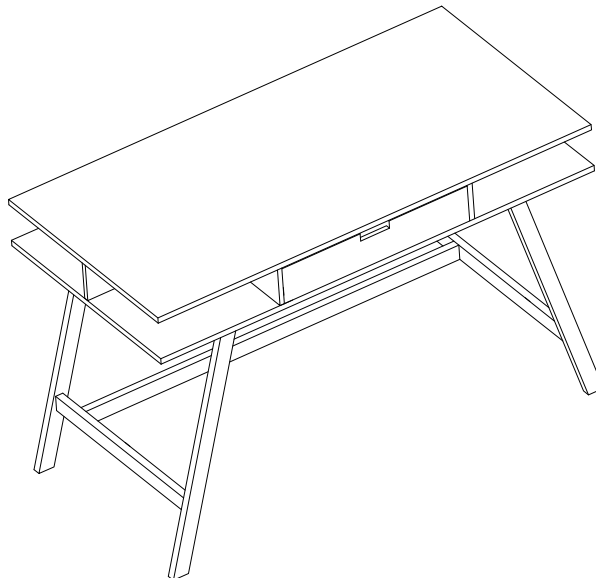


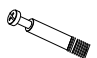










Thank you for purchasing the **MODWAY DESK!**

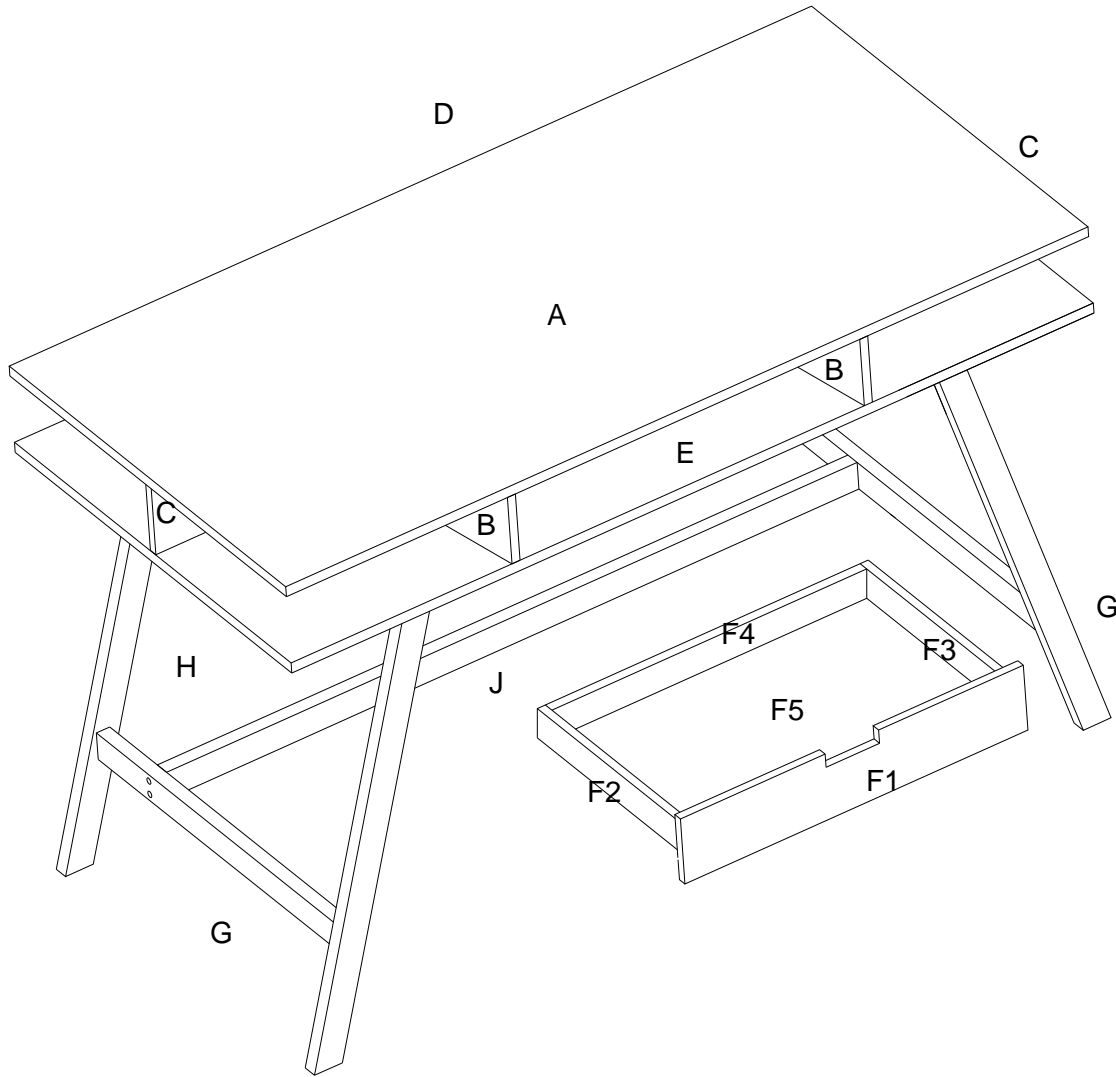
Before you start, here is some helpful advice:

1. We suggest you spend a short time reading through this leaflet and then follow the simple step by step instructions.
2. Owing to the size and weight of the desk, we recommend that it is assembled by two adults, on a carpeted or padded area, in the room that it is intended for. Approximate assembly time: 45 minutes.
3. Please do not use any tools other than those provided or recommended in these instructions.
4. Please do not throw away any of the packaging or instructions until you have checked all the components and hardware and the furniture is fully assembled.
5. Assemble all components loosely until advised to tighten. Depending on use, it may be necessary to tighten the components from time to time, so please save the tools that have been provided.
6. Please keep all pieces out of reach of small children.



Hardware:

a		Cam Post	x22	b		Cam	x22
c		Screw M4x35mm	x4	d		Dowel	x20
e		Screw M4x14mm	x8	f		Drawer Guides	x1 set
g		Bolt M6x30mm	x8	h		Bolt M6x35mm	x8
j		Bolt M6x65mm	x4	k		Allen Wrench	x1
m		Leveler	x4				

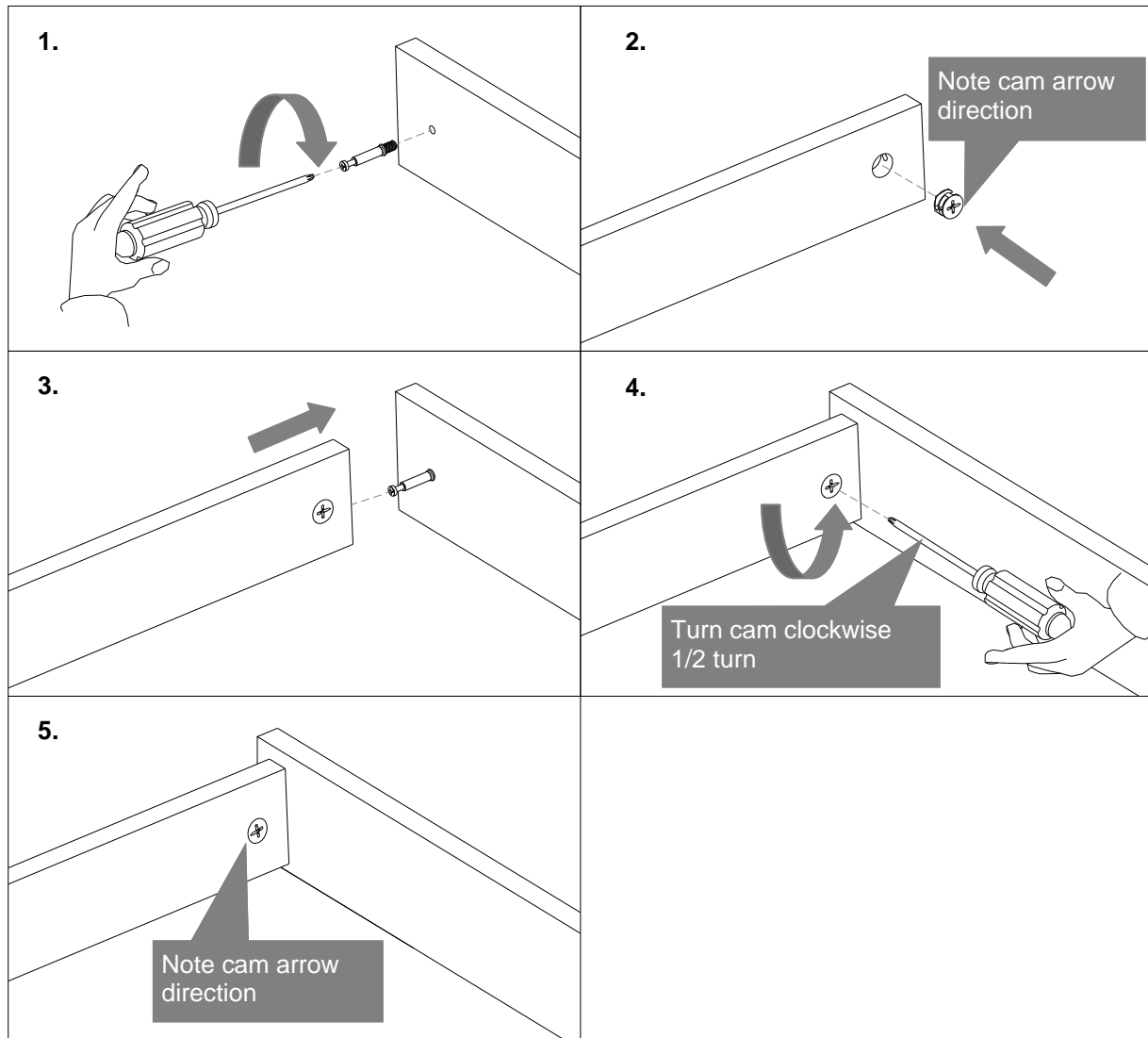


Component:

A	Top Panel	x1
C	Side Divide Panel	x2
E	Bottom Panel	x1
F2	Left Drawer Side	x1
F4	Drawer Back	x1
G	Leg	x2
J	Bottom Rail	x1

B	Side Panel	x2
D	Center Divide Panel	x2
F1	Drawer Front	x1
F3	Right Drawer Side	x1
F5	Drawer Bottom	x1
H	Top Rail	x1

HOW TO USE CAM AND CAM POST HARDWARE

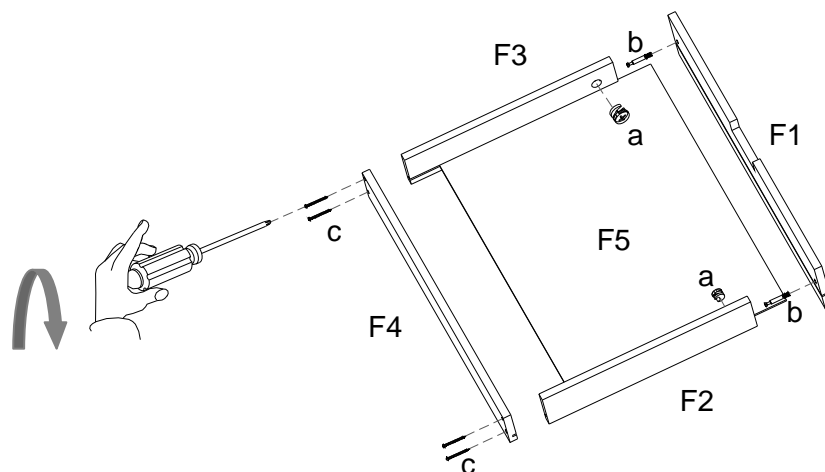


STEP 1:

Place 1pc **Side Drawer Front (F1)**, 1pc **Side Drawer Back (F4)**, 1pc **Left Drawer Side (F3)**, 1pc **Right Drawer Side (F4)** and 1pc **Side Drawer Bottom (F5)** together as shown.

Attach them by 2pcs **Cam Post (a)**, 2pcs **Cam (b)**, 4pcs **Screw (c)**, tighten the **Screws (c)** and **Cam (b)**

Fully tighten **Cams (b)**, **Screws (c)** with **Phillips Head Screw Driver** (not included).

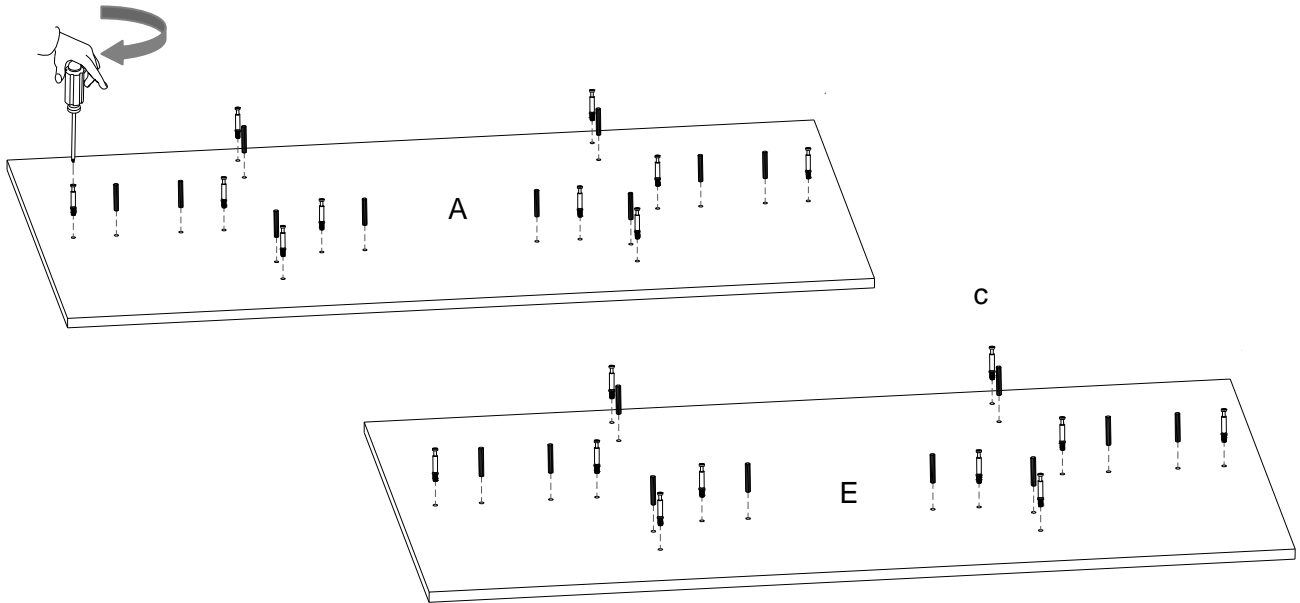




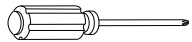
ax2	bx2	cx4	Phillips Head Screwdriver (not included)

Hardware & Tools required

STEP 2:

Insert 11pcs **Cam Post (a)** into the corresponding holes on the bottom of **Top Panels (A)** as shown.
 Use **Phillips Head Screwdriver (not included)** to tighten the **Cam Posts (a)** clockwise until secure.
 Insert 8pcs **Dowel (d)** into the corresponding holes on the bottom **Top Panels (A)** as shown.
 Repeat the same steps and hardware for the **Bottom Panel (E)**.

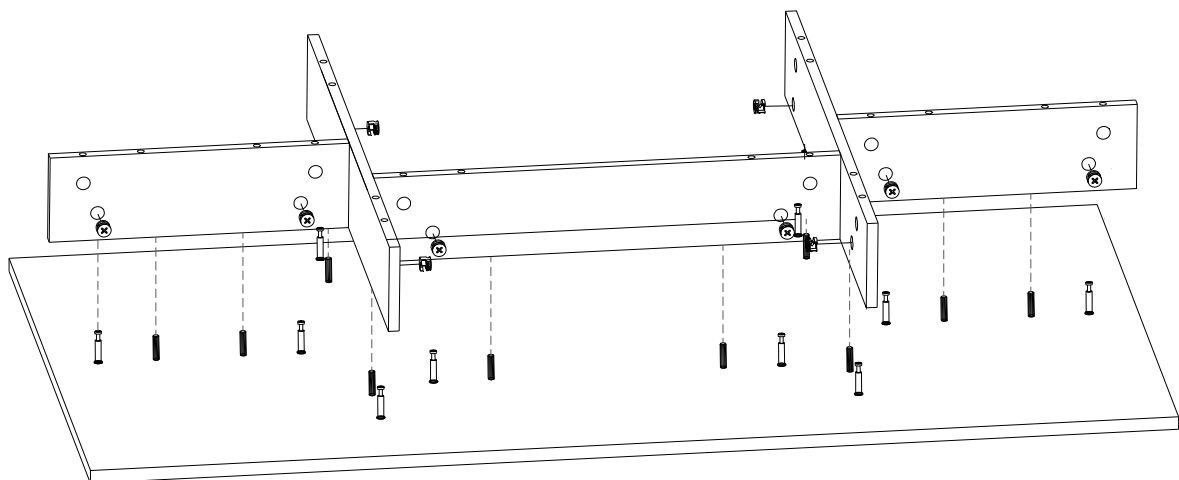



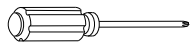
		
ax20	dx20	Phillips Head Screwdriver (not included)

Hardware & Tools required

STEP 3:

Insert 11pcs **Cam Post (a)** into the corresponding holes on the bottom of **Top Panels (A)** as shown.
 Use **Phillips Head Screwdriver (not included)** to tighten the **Cam Posts (a)** clockwise until secure.
 Insert 8pcs **Dowel (d)** into the corresponding holes on the bottom **Top Panels (A)** as shown.



	
bx10	Phillips Head Screwdriver (not included)

Hardware & Tools required

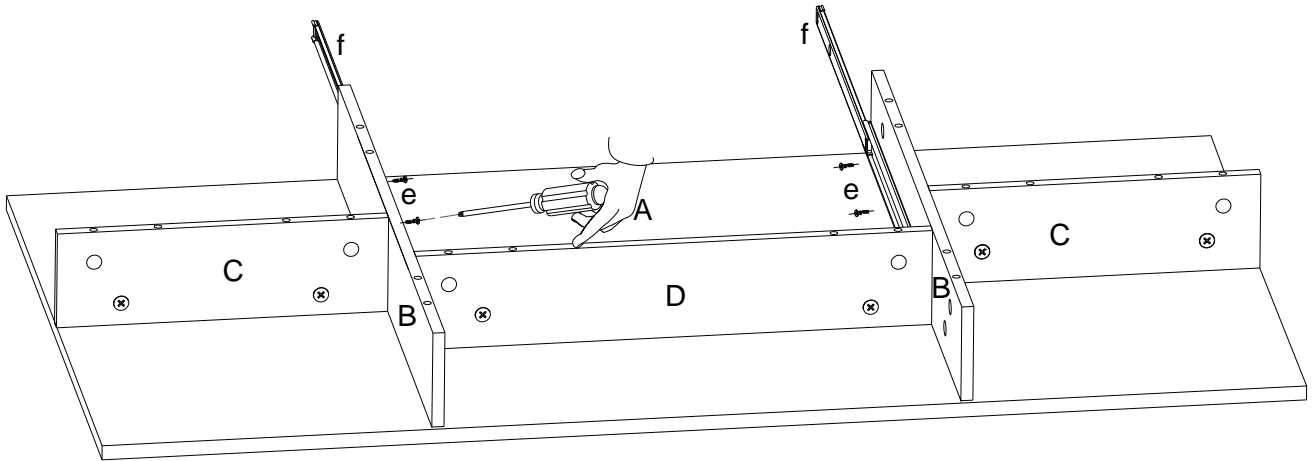
STEP 4:



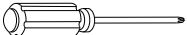
Please put the **Top Panel (A)** upside down on a carpeted or padded surface.

Place the **Left Side Panels (B)** and **Right Side Panel (C)** to the **Top Panel (A)** as shown.

Attach them by using 8pcs **Cam (b)**.

Use **Phillips Head Screwdriver (not included)** to tighten the **Cams (b)** clockwise until secure.



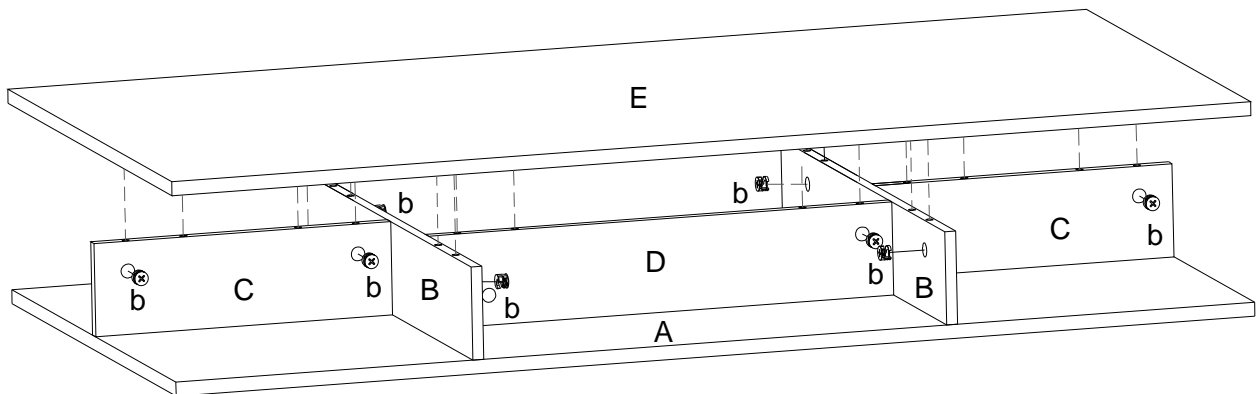
		
ex4	fx1	Phillips Head Screwdriver (not included)


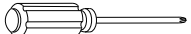
Hardware & Tools required

STEP 5:

Place the **Bottom Panel (E)** to the Assembled **Side Panels (B)**, **Side Divide Panel (C)** and **Center Divide Panel (D)** as shown.

Attach them by using 10pcs **Cam (b)**.



	
bx10	Phillips Head Screwdriver (not included)

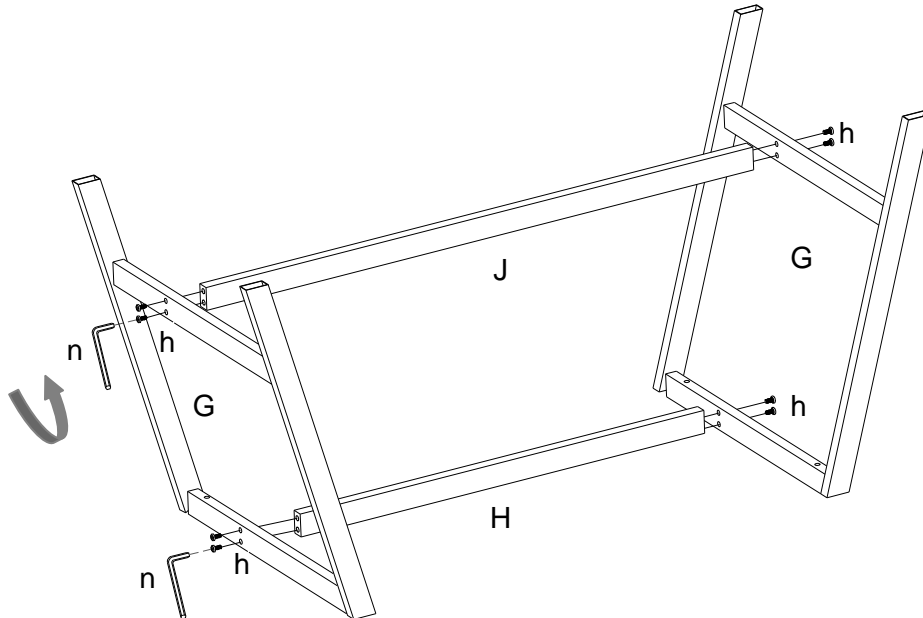
Hardware & Tools required



STEP 6:

Attach the **Top Rail (H)** and **Bottom Rail (J)** to 1pc **Leg (G)** by using 4pcs **Bolt (h)** as shown.

Use **Allen Wrench (n)** to tighten all the **Bolts (h)** clockwise until secure.

Repeat the same steps for the remaining other **Leg (G)**.



	
hx8	nx1

Hardware & Tools required

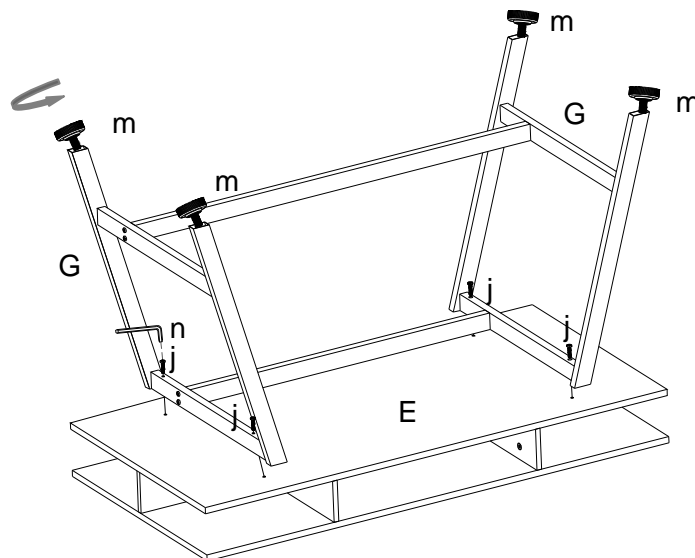
STEP 7:

Place the assembled **Legs (G)** to the assembled **Bottom Panel (E)** as shown.

Connect them by using 4pcs **Bolt (j)**.

Use **Allen Wrench (n)** to tighten all the **Bolts (j)** clockwise until secure.

Secure the 4pcs **Leveler (m)** to the bottom of **Legs (G)** as shown.



		
jx4	mx4	nx1

Hardware & Tools required

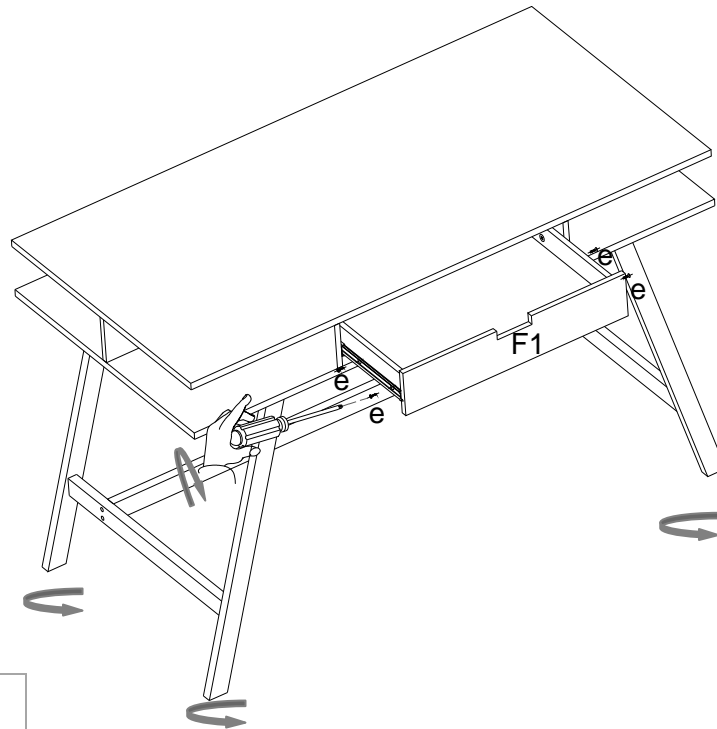
STEP 8:


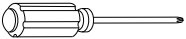
Place the assembled drawer to the assembled desk as shown.

Attach them by using **4pcs Screw (e)**.

Use **Phillips Head Screwdriver (not include)** to tighten the **Screws (e)** clockwise until secure.

Rotate the adjustable feet on bottom of each leg to desired height and leveling according to your floor surface.

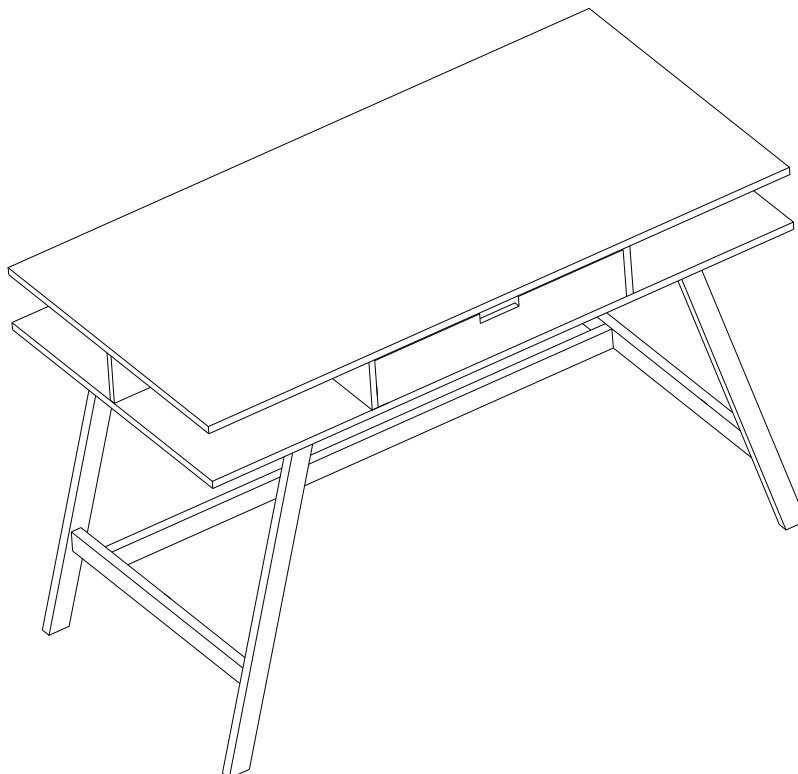


	
ex4	Phillips Head Screwdriver (not included)

Hardware & Tools required

STEP 9:

Place the desk to where you desired.



Assembly is completed. The desk is ready to enjoy now!