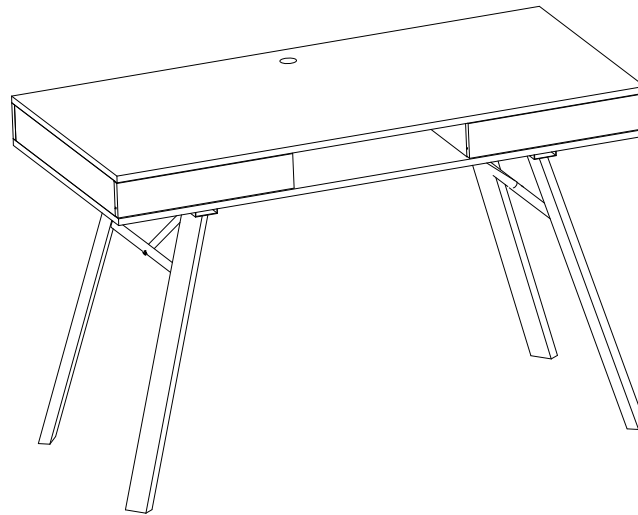


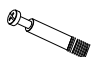











Thank you for purchasing the **MODWAY DESK!**

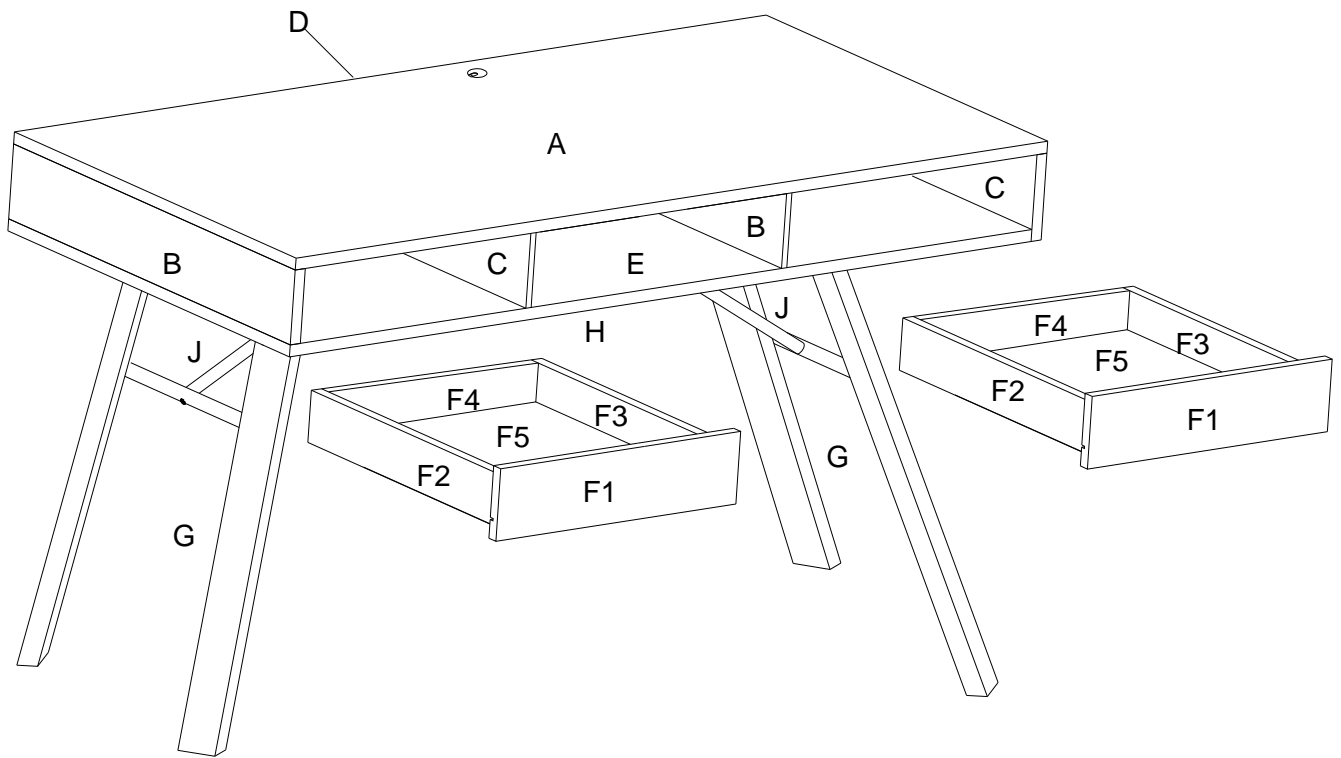
Before you start, here is some helpful advice:

1. We suggest you spend a short time reading through this leaflet and then follow the simple step by step instructions.
2. Owing to the size and weight of the desk, we recommend that it is assembled by two adults, on a carpeted or padded area, in the room that it is intended for. Approximate assembly time: 45 minutes.
3. Please do not use any tools other than those provided or recommended in these instructions.
4. Please do not throw away any of the packaging or instructions until you have checked all the components and hardware and the furniture is fully assembled.
5. Assemble all components loosely until advised to tighten. Depending on use, it may be necessary to tighten the components from time to time, so please save the tools that have been provided.
6. Please keep all pieces out of reach of small children.



## Hardware:

a		Cam Post	x15	b		Cam	x15
c		Screw M4x35mm	x8	d		Dowel	x18
e		Screw M4x14mm	x16	f		Drawer Guides	x2 sets
g		Bolt M6x12mm	x12	h		Bolt M6x35mm	x6
j		Bolt M6x65mm	x2	k		Screw M5.5x55mm	x8
m		Plastic cover	x1	n		Allen Wrench	x1

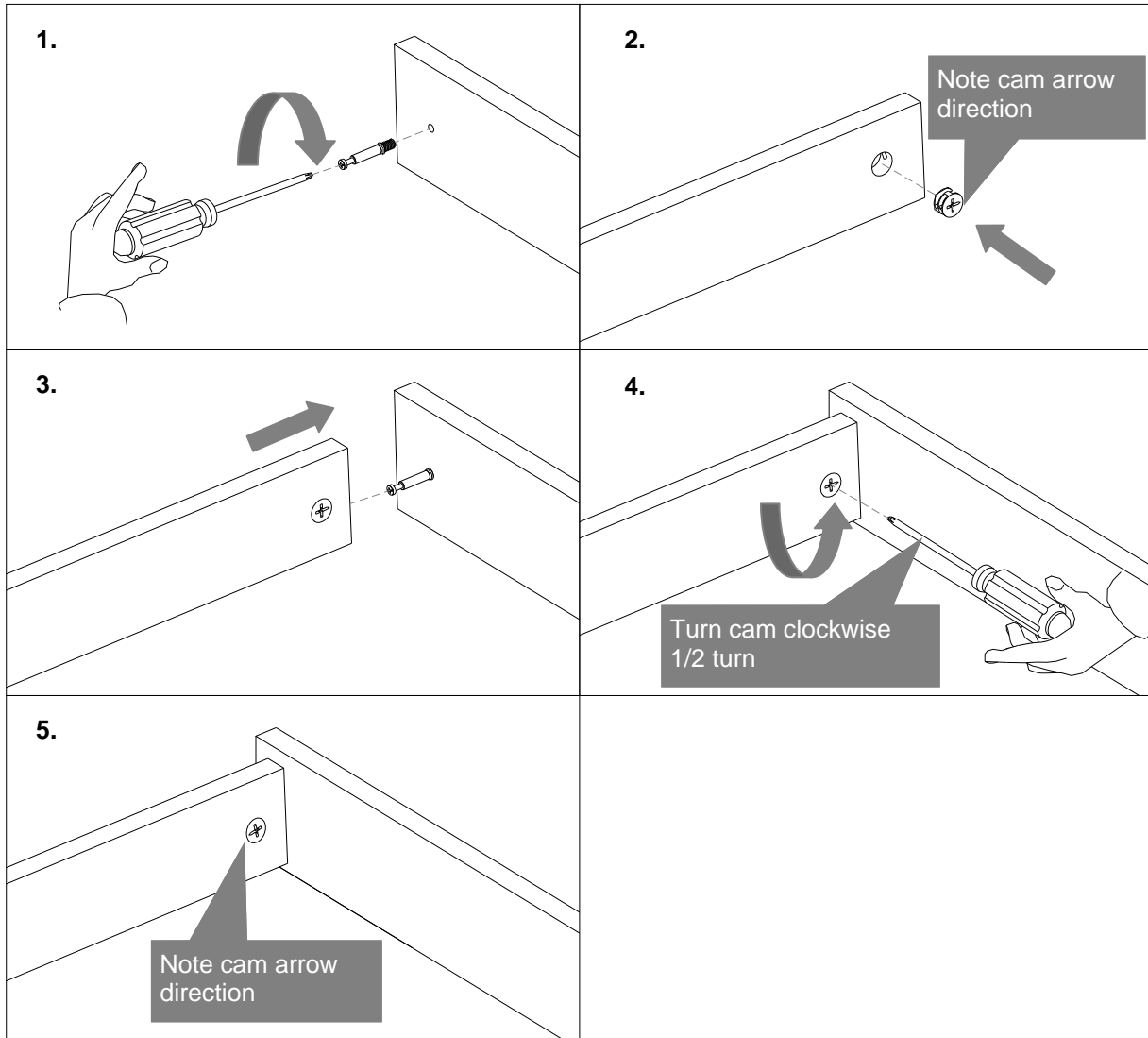


**Component:**

A	Top Panel	x1
C	Right Side Panel	x1
E	Bottom Panel	x1
F2	Left Drawer Side	x2
F4	Drawer Back	x2
G	Leg	x2
J	Support Rail	x2

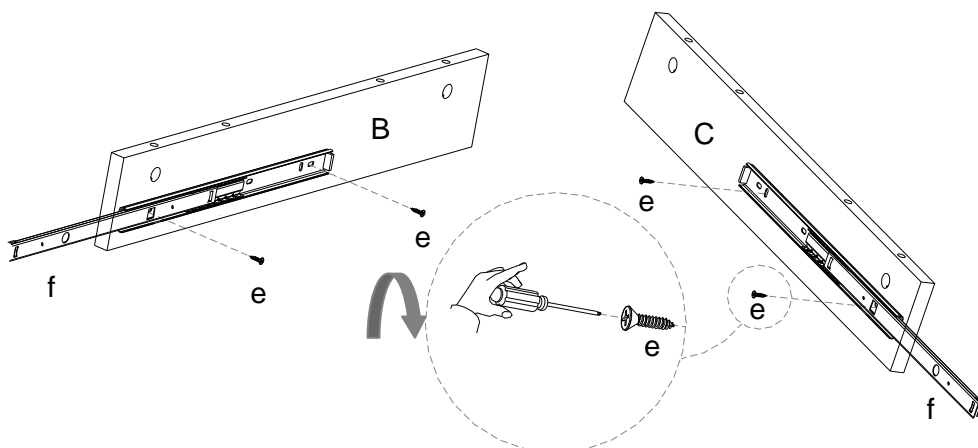
B	Left Side Panel	x2
D	Back Panel	x2
F1	Drawer Front	x2
F3	Right Drawer Side	x2
F5	Drawer Bottom	x2
H	Center Rail	x1

**HOW TO USE CAN AND CAM POST HARDWARE**



**STEP 1:**

Attach one set of **Drawer Guide (f)** to 1pc **Left Side Panel (B)** and 1pc **Right Side Panel (C)** by using 4pcs **Screw (e)** as shown. Use **Phillips Head Screwdriver (not included)** to tighten the **Screws (e)** clockwise until secure. Repeat the same steps for the other **Left Side Panel (B)** and **Right Side Panel (C)**.



ex8	fx2	Phillips Head Screwdriver (not included)

Hardware & Tools required

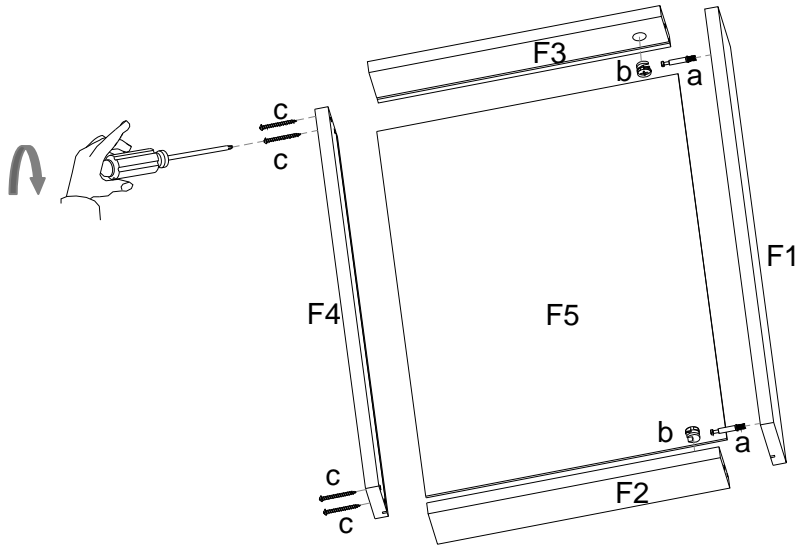
**STEP 2:**

Place 1pc **Side Drawer Front (F1)**, 1pc **Side Drawer Back (F4)**, 1pc **Left Drawer Side (F3)**, 1pc **Right Drawer Side (F2)** and 1pc **Side Drawer Bottom (F5)** together as shown.

Attach them by 2pcs **Cam Post (a)**, 2pcs **Cam (b)**, 4pcs **Screw (c)**, tighten the **Screws (c)** and **Cam (b)**

Fully tighten **Cams (b)**, **Screws (c)**, **Pull Screws (d)** with **Phillips Head Screw Driver** (not included).

Repeat the same steps and hardware for the other Side Drawer .



ax4	bx4	cx8	Phillips Head Screwdriver (not included)

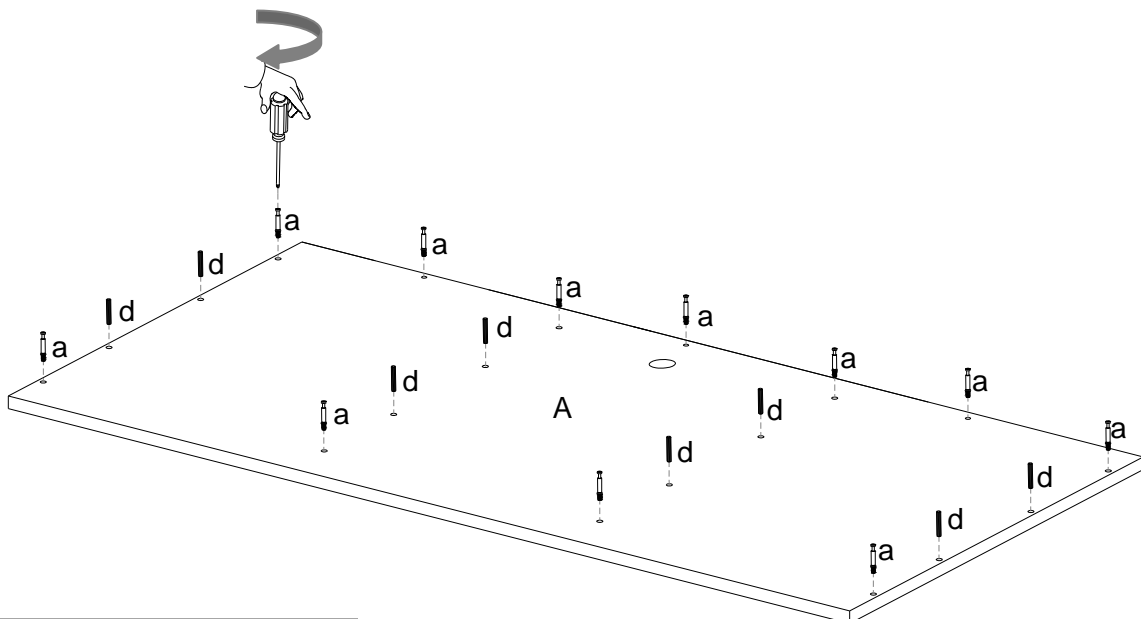
Hardware & Tools required

**STEP 3:**

Insert 11pcs **Cam Post (a)** into the corresponding holes on the bottom of **Top Panels (A)** as shown.

Use **Phillips Head Screwdriver (not included)** to tighten the **Cam Posts (a)** clockwise until secure.

Insert 8pcs **Dowel (d)** into the corresponding holes on the bottom **Top Panels (A)** as shown.

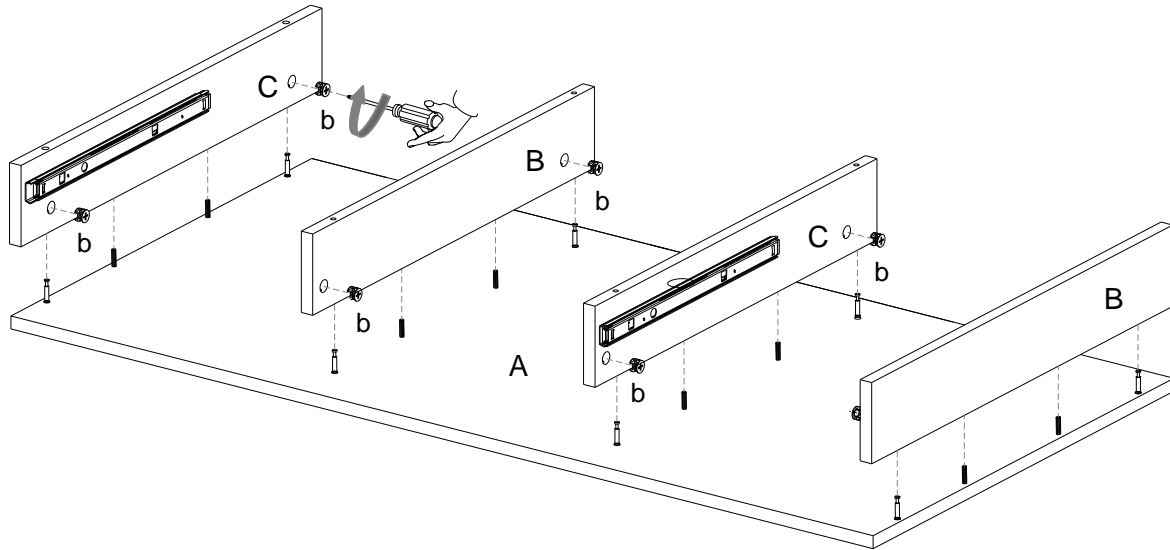


ax11	dx8	Phillips Head Screwdriver (not included)

Hardware & Tools required

**STEP 4:**

Please put the **Top Panel (A)** upside down on a carpeted or padded surface.  
 Place the **Left Side Panels (B)** and **Right Side Panel (C)** to the **Top Panel (A)** as shown.  
 Attach them by using 8pcs **Cam (b)**.  
 Use **Phillips Head Screwdriver (not included)** to tighten the **Cams (b)** clockwise until secure.

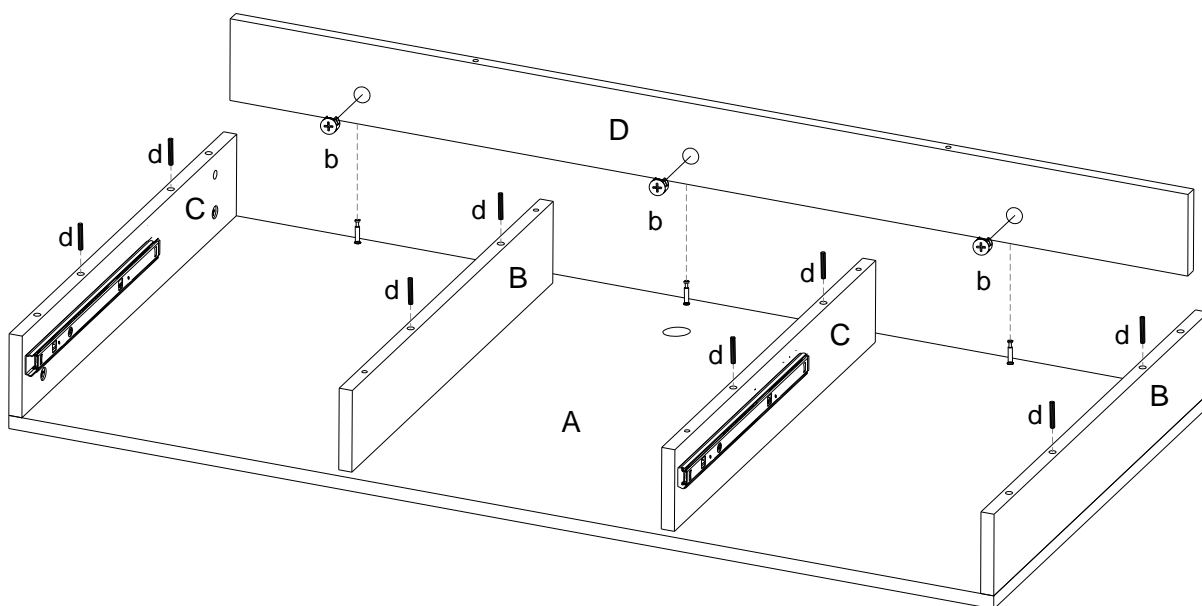


b x 8	Phillips Head Screwdriver (not included)

Hardware & Tools required

**STEP 5:**

Place the **Back Panel (G)** to the **Top Panel (A)** by using 3pcs **Cam (b)** as shown.  
 Insert 8pcs **Dowel (d)** into the corresponding holes on the **Left Side Panels (C)** and **Right Side Panels (C)**.



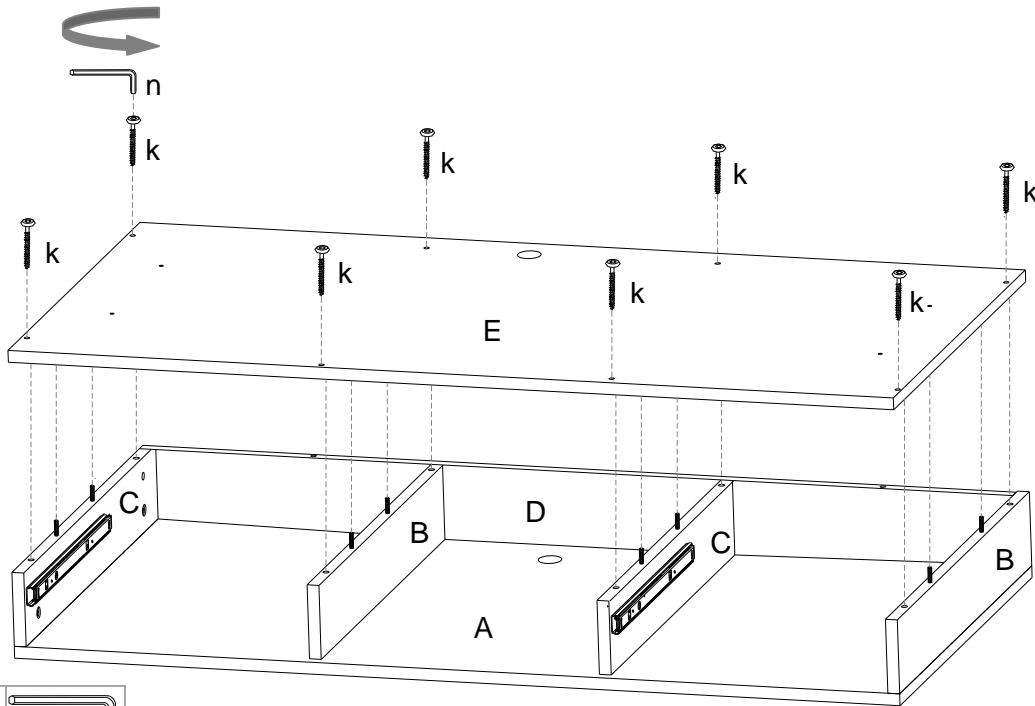
b x 3	d x 8	Phillips Head Screwdriver (not included)

Hardware & Tools required

**STEP 6:**

Place the **Bottom Panel (B)** to the assembled **Left Side Panels (B)**, **Right Side Panels (C)** and **Back Panel (D)** as shown. Attach them by using 12pcs **Bolt (k)**.

Use **Allen Wrench (n)** to tighten the **Bolts (k)** clockwise until secure.



kx8	nx1

Hardware & Tools required

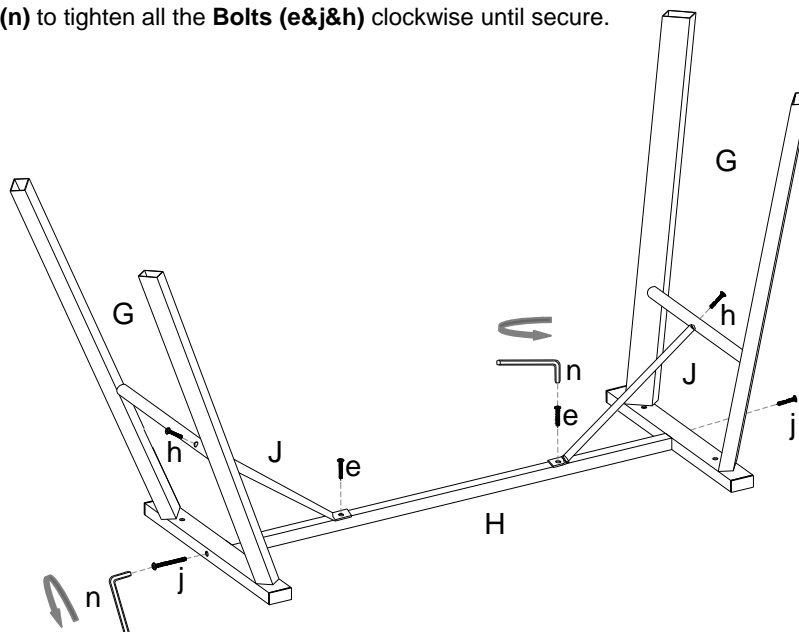
**STEP 7:**

Place the **Legs (G)** and **Center Rail (H)** upside down on a carpeted or padded surface.

Connect them by using 2pcs **Bolt (j)**.

Attach the 2pcs **Support Rail (G)** to the assembled **Legs (G)** and **Top Rail (H)** by using 2pcs **Bolt (e)** and 2pcs **Bolt (h)** as shown.

Use **Allen Wrench (n)** to tighten all the **Bolts (e&j&h)** clockwise until secure.



ex2	hx2	jx2	nx1

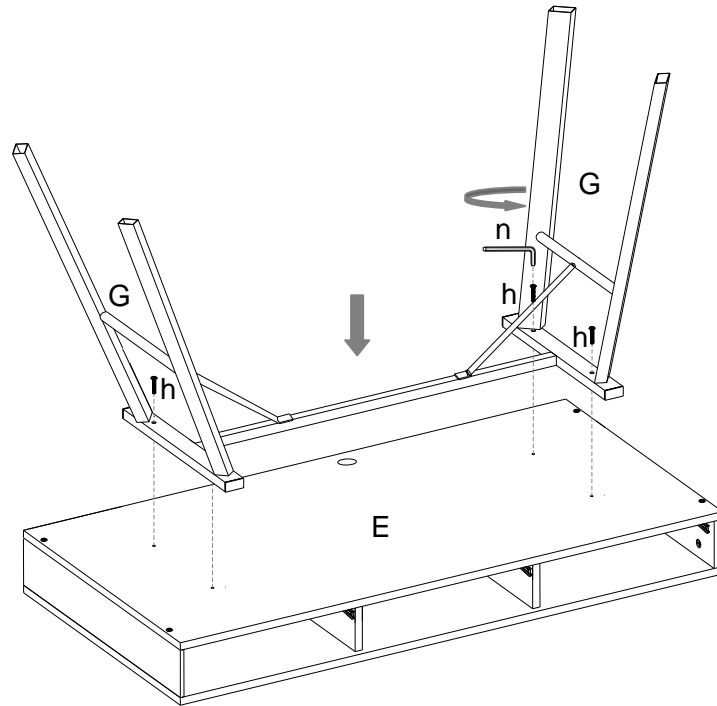
Hardware & Tools required



### STEP 8:

Place the assembled **Legs (G)** to the bottom of **Bottom Panel (E)** as shown.

Attach them by using **4pcs Bolt (h)**.

Use **Allen Wrench (n)** to tighten the **Bolts (h)** clockwise until secure.



	
hx4	qx1

Hardware & Tools required

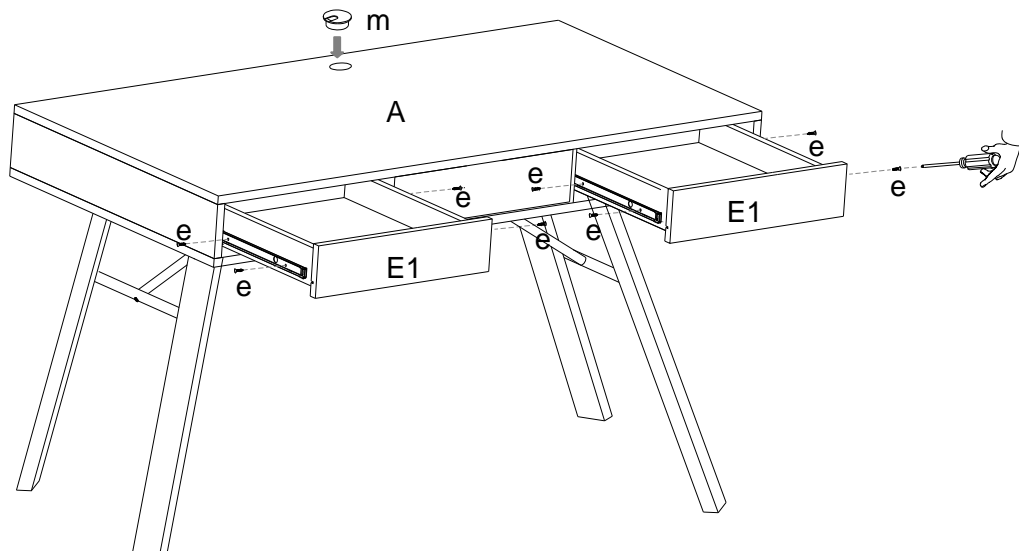
### STEP 9:



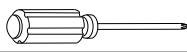
Place the assembled **Drawer** to the desk as shown.

Connect them by using **8pcs Screw (e)**.

Use **Phillips Head Screwdriver (not included)** to tighten the **Screws (e)** clockwise until secure.

Insert the **Plastic Cover (m)** into the holes on the **Top Panel (A)** as shown.

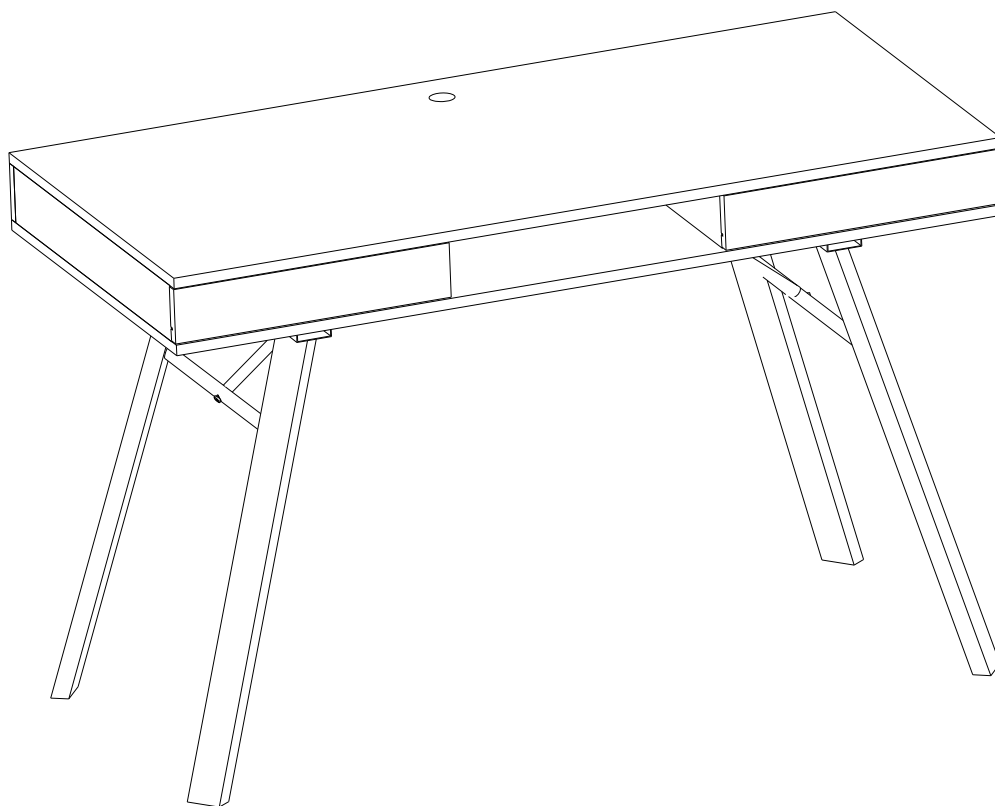


		
ex8	mx1	Phillips Head Screwdriver (not included)

Hardware & Tools required

## STEP 10:

Place the desk to where you desired.



Assembly is completed. The desk is ready to enjoy now!