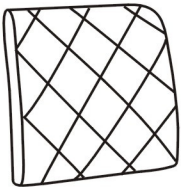
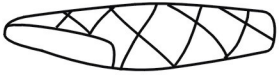
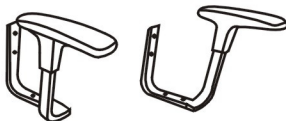
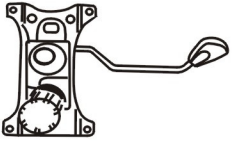
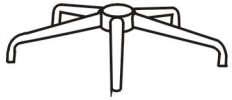
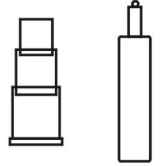



ASSEMBLY INSTRUCTION

MODEL:EEI-1247-WHI

(1)X1	(2)X1	(3)X1	
			
(4)X1	(5)X1	(6)X1	(7)X5
			

Ax4



M6X30

Bx4



M6X18 Black

Cx4

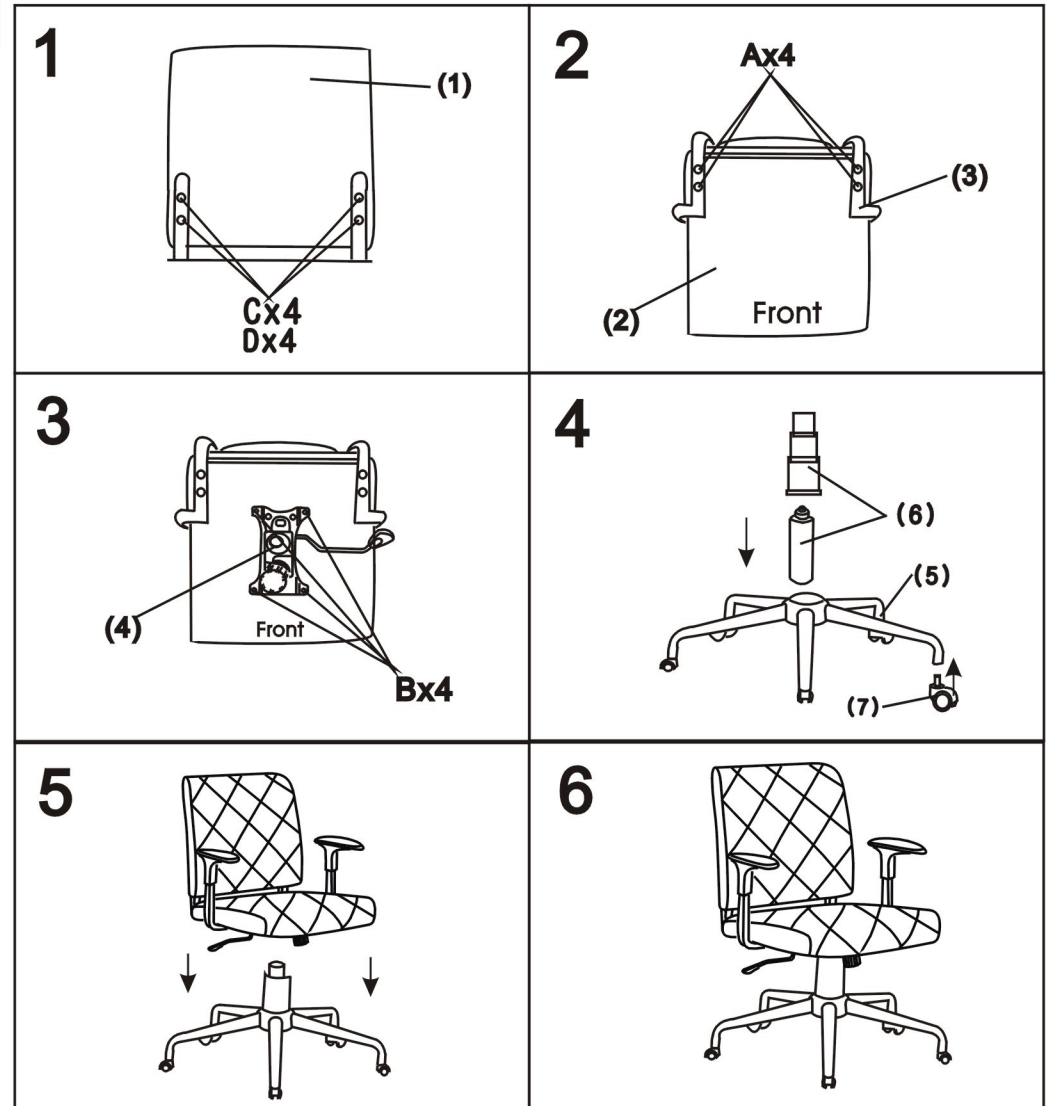


M6X18 Silver

Dx4



M6



It is important to assemble all parts so that the directional "Arrows" point in the same direction. Make certain that all screws are fully tightened before using the chair. Each month check all screws and tighten and that may have loosened.

Warning: Do not stand on the chair for any purpose.