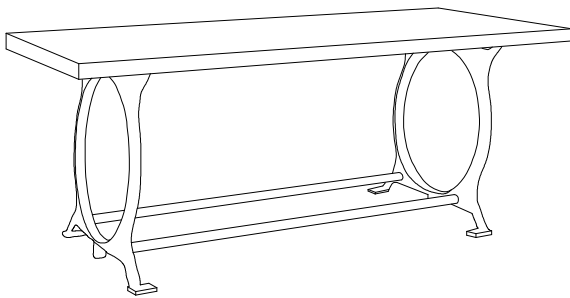







Thank you for purchasing the **EFFUSE TABLE** !

Before you start, here is some helpful advice:

1. We suggest you spend a short time reading through this leaflet and then follow the simple step by step instructions.
2. Owing to the size and weight of the table, we recommend that it is assembled by two adults, on a carpeted or padded area, in the room that it is intended for. Approximate assembly time: 30 minutes.
3. Please do not use any tools other than those provided or recommended in these instructions.
4. Please do not throw away any of the packaging or instructions until you have checked all the components and hardware and the furniture is fully assembled.
5. Assemble all components loosely until advised to tighten. Depending on use, it may be necessary to tighten the components from time to time, so please save the tools that have been provided.
6. Please keep all pieces out of reach of small children.



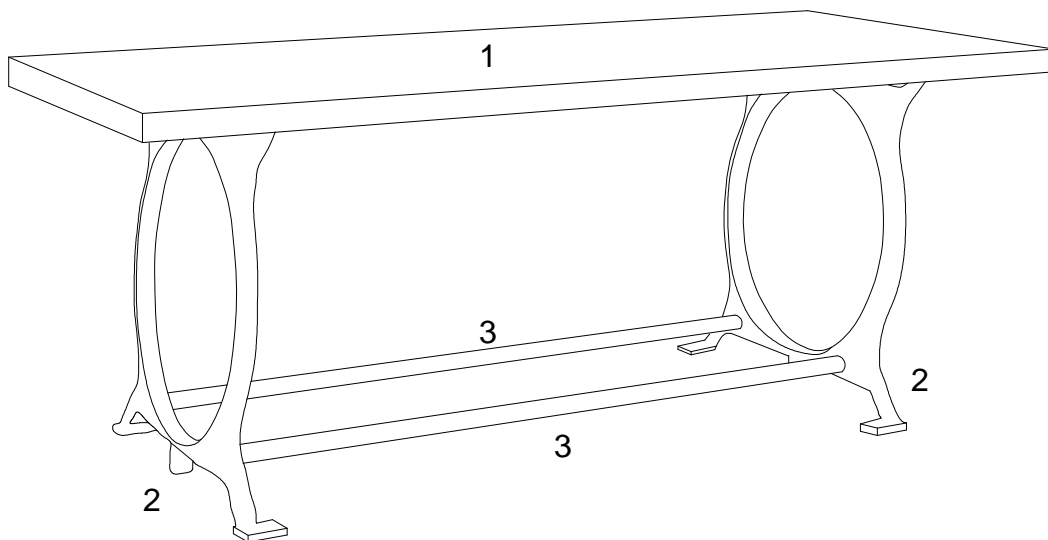
Hardware:

A		Hex Head Bolt with Spring Washer and Flat Washer	x4
B		Bolt	x8
C		Flat Washer	x8
D		Open Wrench	x1
E		Allen Wrench	x1

Note:

The 4 sets of **Hex Head Bolts** with **Spring Washers** and **Flat Washers (A)** are pre-installed at the end of **Bottom Rail (3)**.

Component:

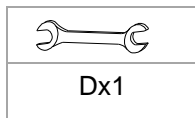
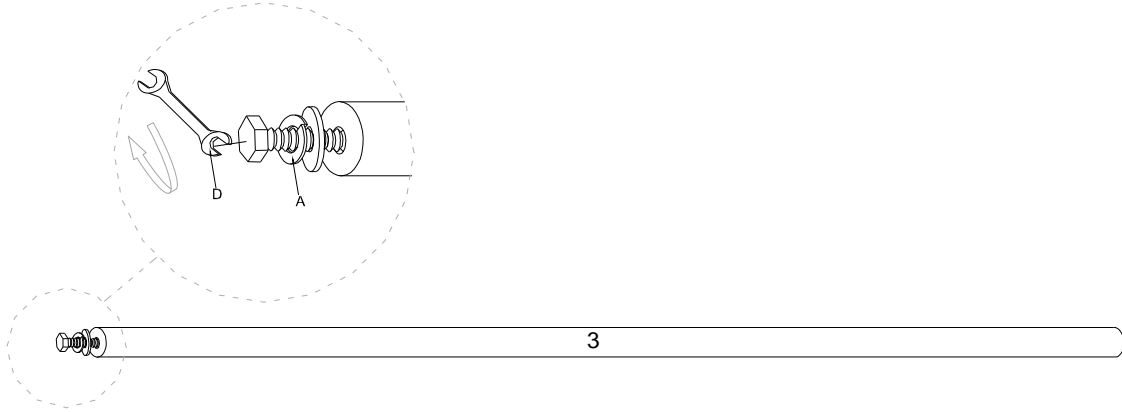


1	Table Top	x1	2	Leg	x2
3	Bottom Rail	x2			

STEP 1:

Loosen the 2 sets of **Hex Head Bolts** with **Spring Washers** and **Flat Washers (A)** which come pre-installed at the end of **Bottom Rail (3)** by using **Open Wrench (D)** as shown.

Repeat the same steps for loosening the other **Bottom Rail (3)**.



Tool required

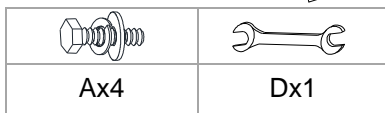
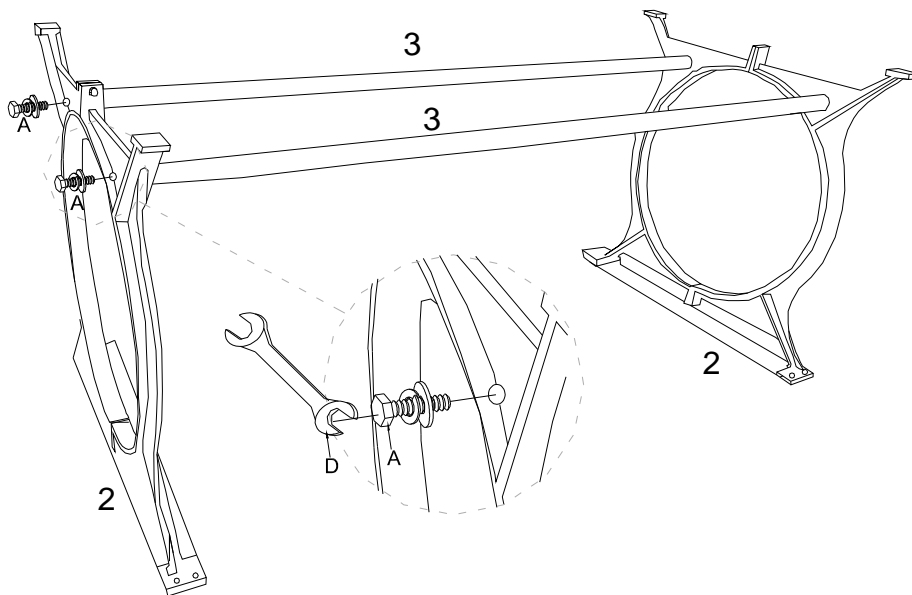
STEP 2:

Please put the **legs (2)** upside down as shown.

Insert 2 sets of **Hex Head Bolt** with **Spring Washer** and **Flat Washer (A)** into the pre-drilled holes on the **Bottom Rails (3)** through the pre-drilled holes on the **Leg (2)** as shown.

Use **Open Wrench (D)** to tighten the 2 sets of **Hex Head Bolt** with **Spring Washer** and **Flat Washer (A)** clockwise until secure.

Repeat the same steps for affixing the other **Leg (2)**.



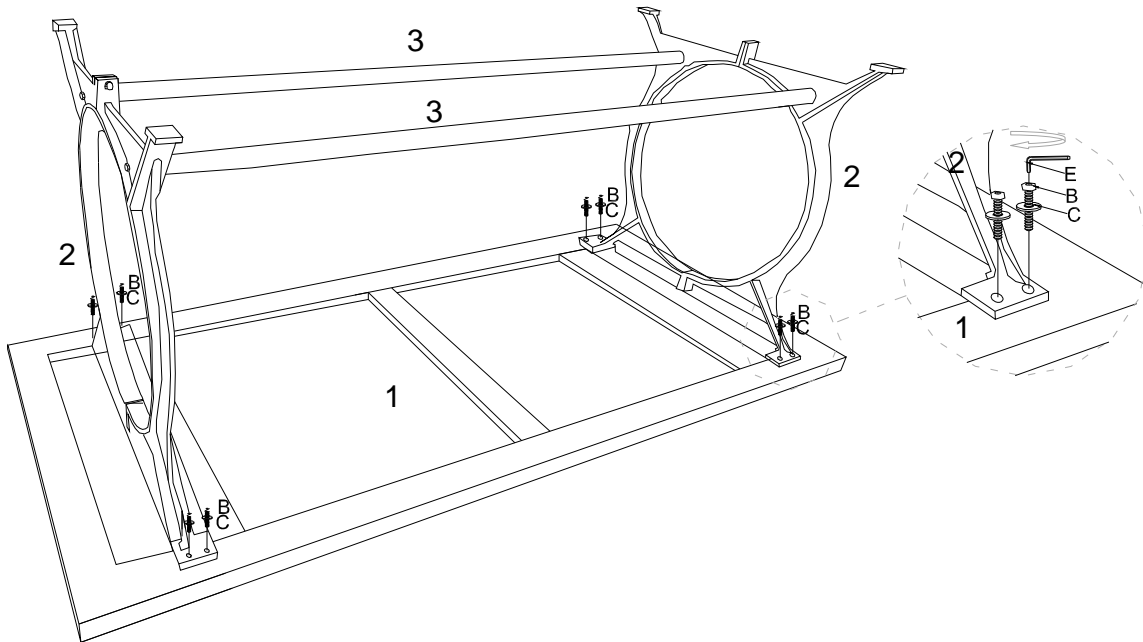
Hardware & Tool required




STEP 3:

Please put the **Table Top (1)** upside down on a carpeted or padded surface.

Attach the assembled **Legs (2)** into the bottom of the **Table Top (1)** by using **Bolts (B)** and **Flat Washers (C)** as shown.

Use **Allen Wrench (E)** to tighten the **Bolts (B)** clockwise until secure.

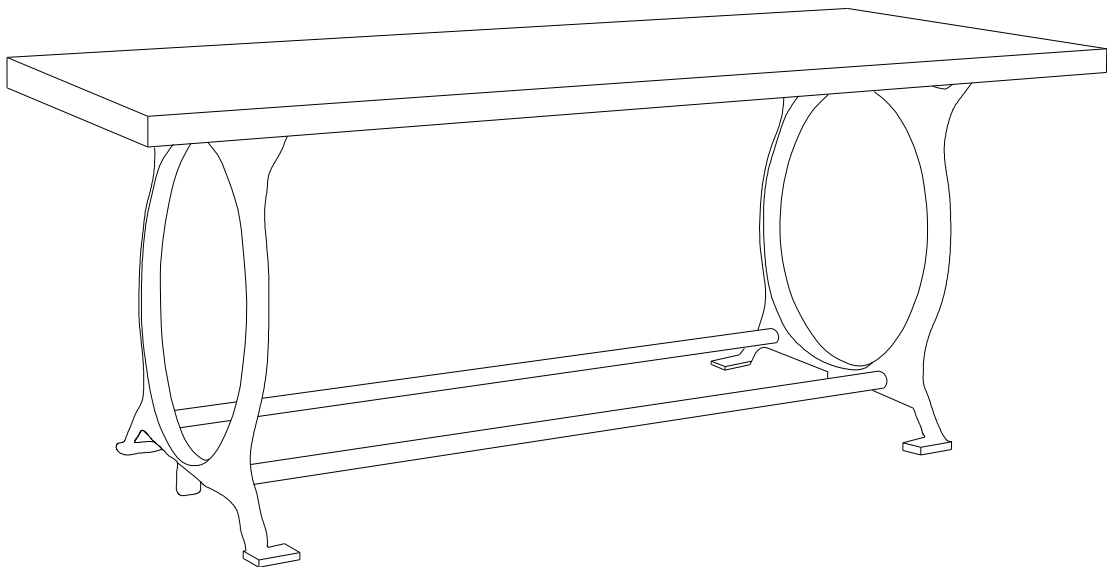


		
Bx8	Cx8	Ex1

Hardware & Tool required

STEP 4:

Carefully turn over the dining table.



Assembly is completed. The dining table is ready to enjoy now!