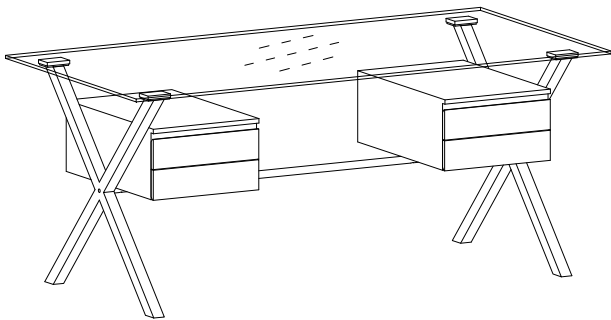










Thank you for purchasing the **MODWAY ABEYANCE OFFICE DESK!**

Before you start, here is some helpful advice:

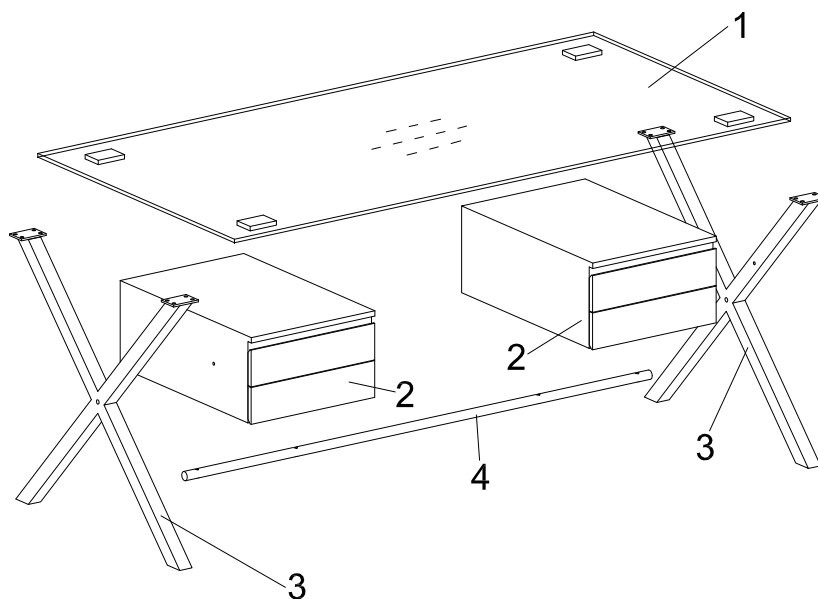
1. We suggest you spend a short time reading through this leaflet and then follow the simple step by step instructions.
2. Owing to the size and weight of the desk, we recommend that it is assembled by two adults, on a carpeted or padded area, in the room that it is intended for. Approximate assembly time: 30 minutes.
3. Please do not use any tools other than those provided or recommended in these instructions.
4. Please do not throw away any of the packaging or instructions until you have checked all the components and hardware and the furniture is fully assembled.
5. Assemble all components loosely until advised to tighten. Depending on use, it may be necessary to tighten the components from time to time, so please save the tools that have been provided.
6. Please keep all pieces out of reach of small children.



Hardware:

A		Bolt M8x60mm	x2
B		Bolt M8x40mm	x4
C		Bolt M8x30mm	x4
D		Bolt M8x10mm	x16
E		Washer	x2
F		Flat Washer	x24
G		Plastic Cap	x2
H		Allen Wrench	x1

Component:



1	Glass Top	x1	2	Drawer Box	x2
3	Leg	x2	4	Central Rail	x1

STEP 1:

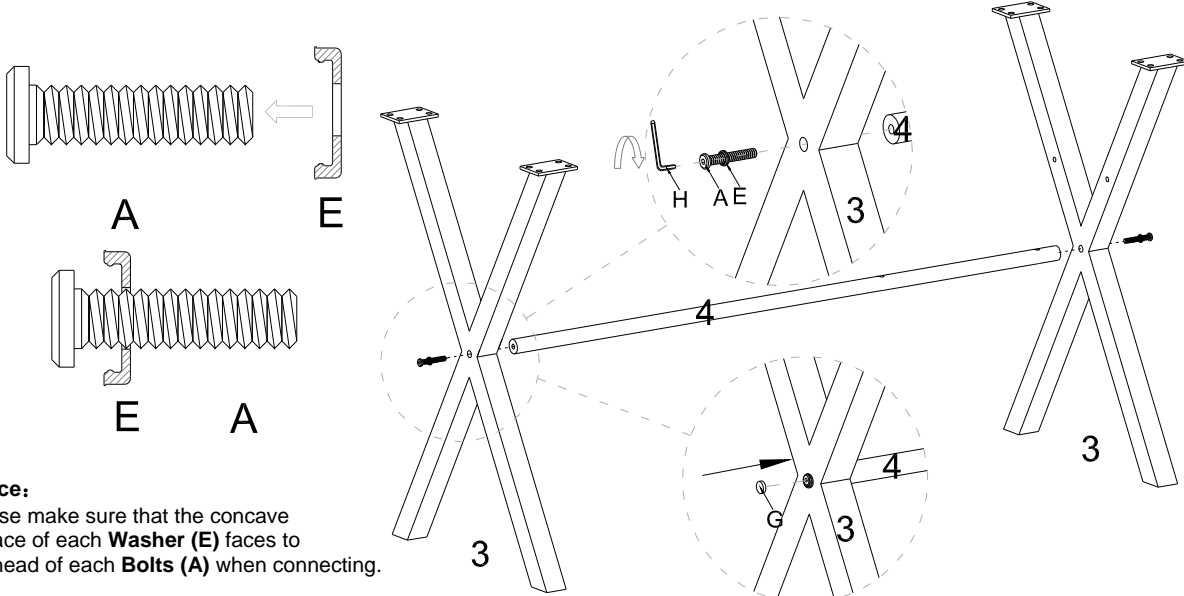
Place one of the **Legs (3)** to the **Central Rail (4)** as shown.

Please make sure that the concave surface of each **Washer (E)** faces to the head of each **Bolt (A)** when connecting.

Attach them by using **Bolts (A)** and **Washers (E)** through the pre-drilled holes on the **Central Rail (4)** and the same **Leg (3)**.

Tighten **Bolts (A)** with the **Allen Wrench (H)**. Then cover the **Plastic Cap (G)** to the head of **Bolt (A)** as shown.

Repeat the same steps for assembling the other **Leg (3)** to the **Central Rail (4)**.



Notice:

Please make sure that the concave surface of each **Washer (E)** faces to the head of each **Bolts (A)** when connecting.

Ax2	Ex2	Gx2	Hx1

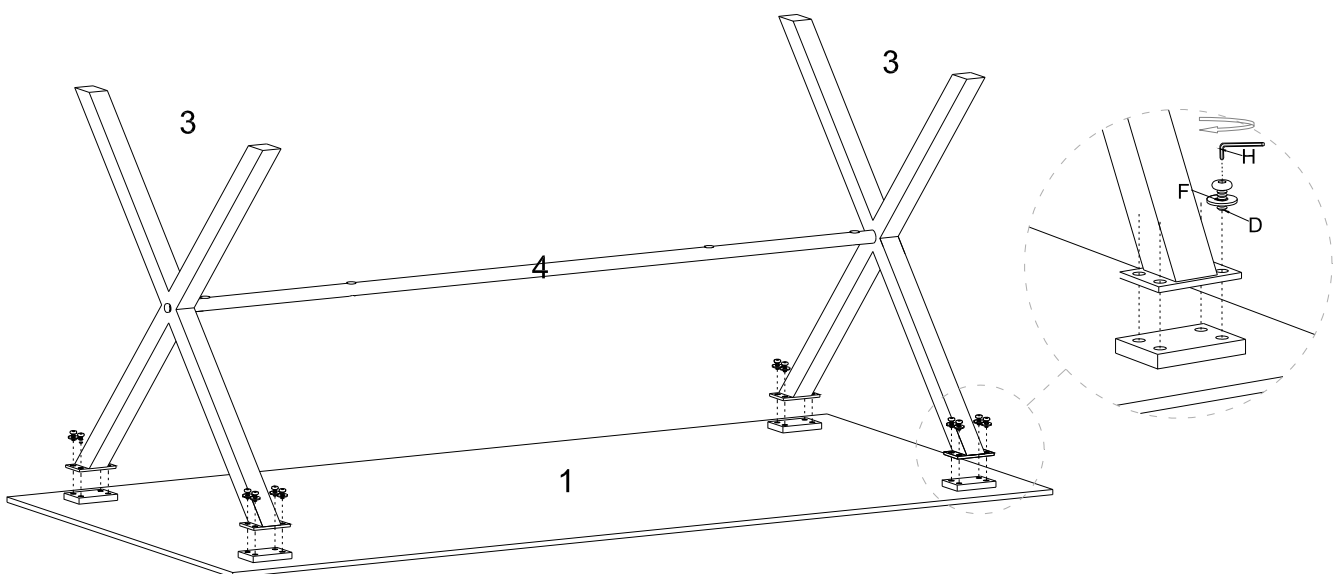
Hardware & Tool required

STEP 2:

Please put the **Glass Top (1)** upside down on a flat and smooth surface as shown .

Attach the assembled **Central Rail (4)**, **Legs (3)** into the bottom of **Glass Top (1)** by using **Bolts (D)** and **Flat Washers (F)**.

Use the **Allen Wrench (H)** to tighten the **Bolts (4)** clockwise until secure.



Dx16	Fx16	Hx1

Hardware & Tool required

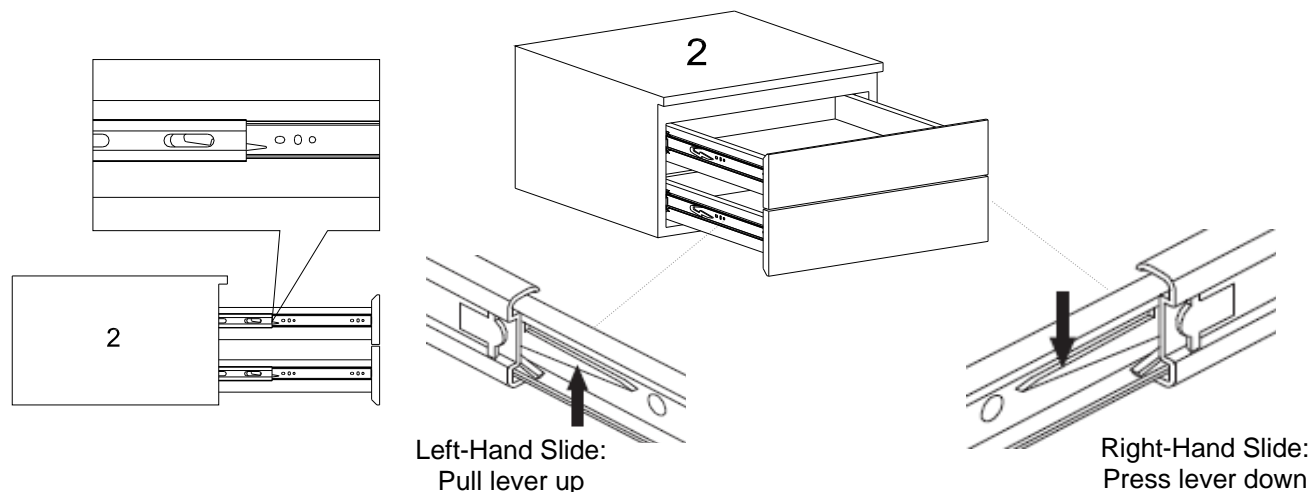
STEP 3:

In order to properly attach the **Drawer Box(2)** to the side of the **Legs (3)**, take out the extra space before leg. It will be necessary to remove the two drawers from the **Drawer Box (2)**. Please follow the following steps for drawer removal.

A, Open the drawer fully.

B, Locate the black quick disconnect levers on the right and left-hand slides.

C, Simultaneously press the quick disconnect levers while pulling out the drawer. As shown, the right-hand level is pressed down, while the left-hand lever releases by pulling up.



STEP 4:

Carefully turn over the assembled desk.

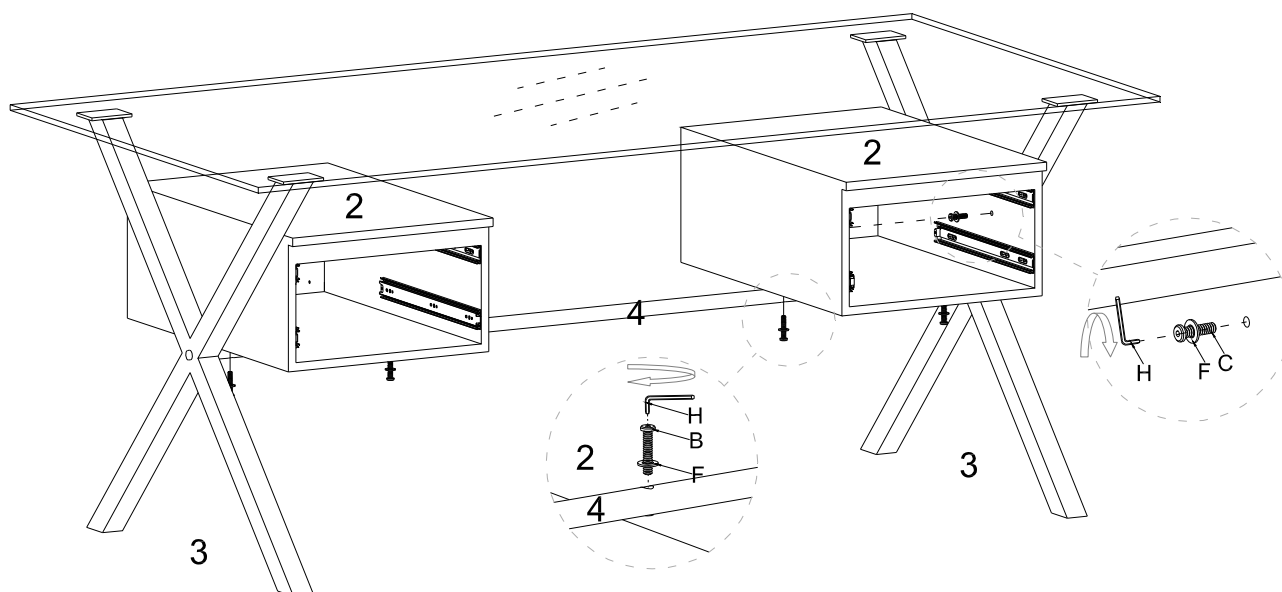
Attach the **Drawer Box (2)** without drawers to one of **Leg (3)** by using **Bolts (C)** and **Flat Washers (F)** through the pre-drilled holes on the inside of the right side panel of the **Drawer Box (2)** and one of **Leg (3)**.

Do not fully tighten the **Bolts (C)** at this time.

Attach the **Drawer Box (2)** to the **Central Rail (5)** by using **Bolts (B)** and **Flat Washers (F)**.

Use the **Allen Wrench (H)** to tighten **Bolts (B)** and **Bolts (C)** clockwise until secure.

Repeat the same steps for assembling the second **Drawer Box (2)** to the other **leg (3)**.



Bx4	Cx4	Fx8	Hx1

Hardware & Tool required

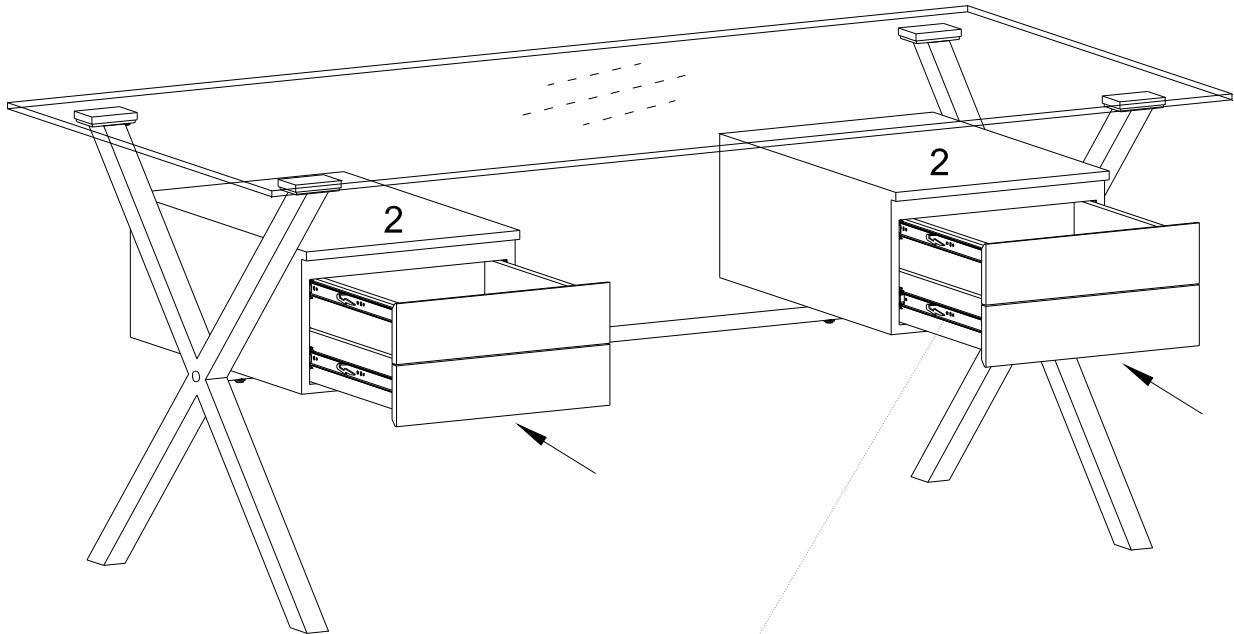
STEP 5:

In order to return the two drawers into each **Drawer Box (2)**.

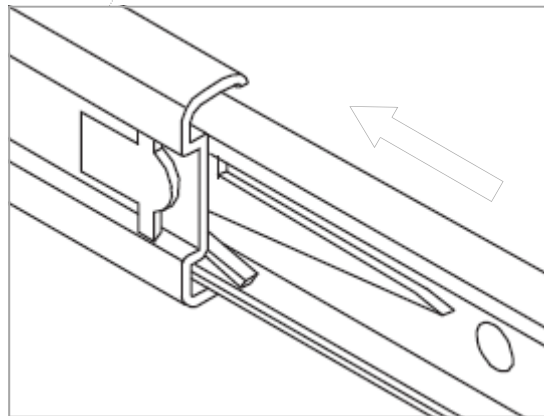
A, Align drawer with drawer slides.

B, Move silver metal carrier fully forward in slide.

C, Gently push drawer into the drawer box.



Silver Metal Carrier



Align drawer with drawer slides. Push drawer into the **Drawer Box (2)** until clicking sound is heard and slides are locked together

Assembly is completed. The desk is ready to enjoy now!